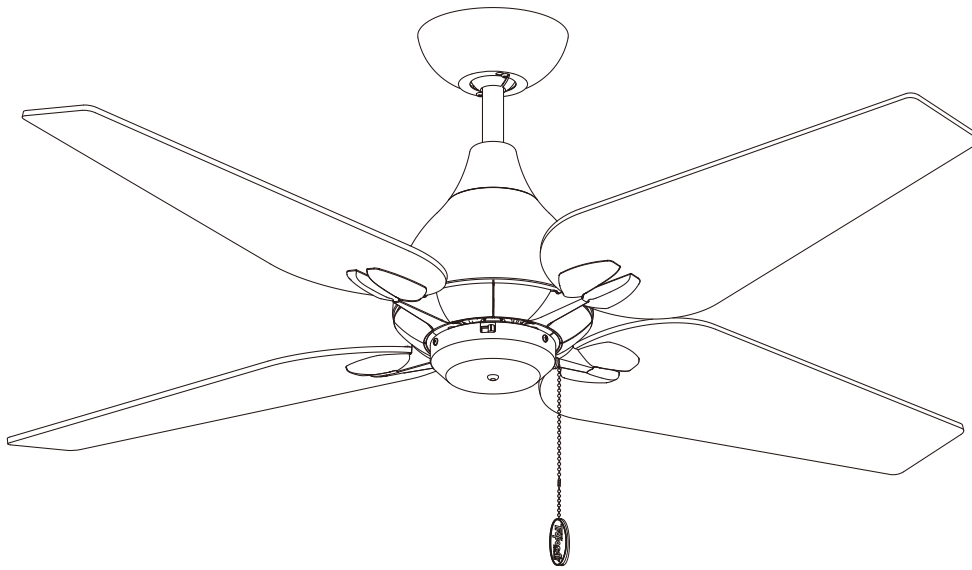


Owners Manual

TroposAir
Reno



4LD50

This instruction contains 6 pages:

- Page 1: Foreword
- Page 2: Unpack and inspect parts contained
- Page 3: Notes before installation and Hanging system installation
/ Blade installation
- Page 4: Downrod installation /
- Page 5: Hanging system installation / Wire connection
- Page 6: Canopy / Switch Housing installation
/ Pull Chain Knob installation

Net weight

KGS.
LBS.



Toll Free: 1-855-676-7247

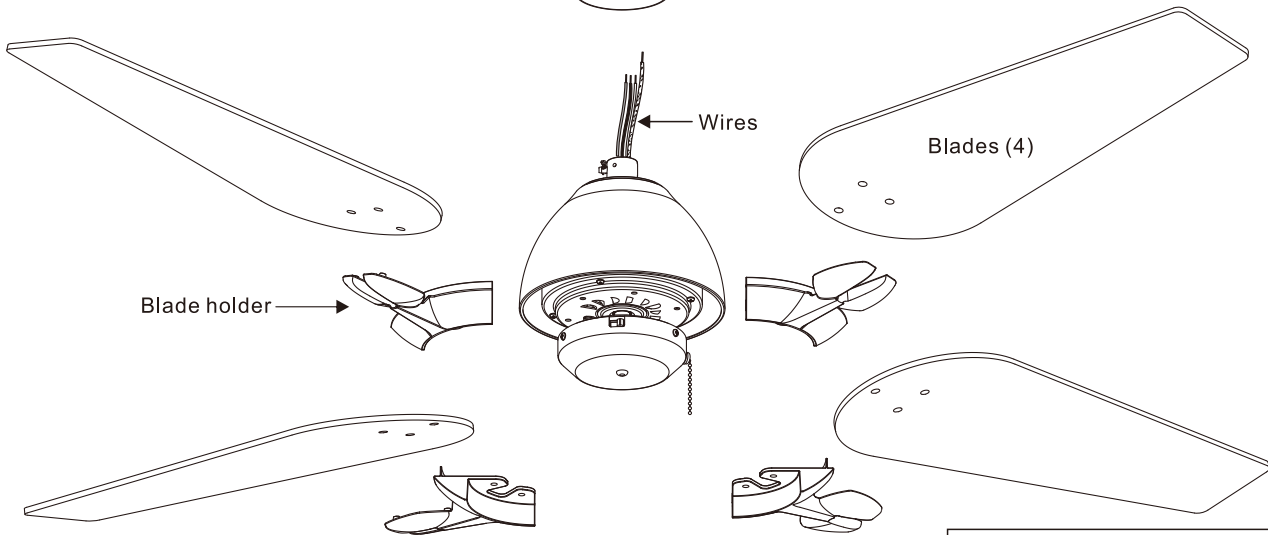
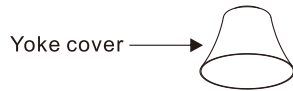
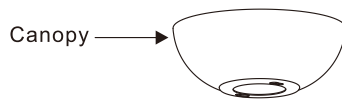
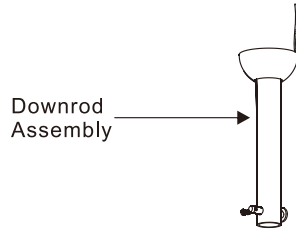
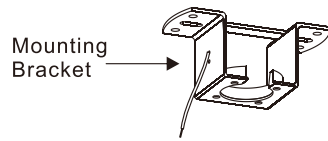
WARNING : Read and follow these instructions carefully and be mindful of all warnings shown throughout.

READ AND SAVE THESE INSTRUCTIONS

WARNING : TO REDUCE THE RISK OF FIRE, ELECTRICAL SHOCK, OR INJURY TO PERSONS, PLEASE OBSERVE THE FOLLOWING :

- 1]. To ensure the success of the installation, be sure to read the instructions and review the diagrams thoroughly before beginning.
- 2]. **To avoid possible electric shock, be sure electricity is turned off at the main power box before wiring.**
All electrical connections must be made in accordance with local codes, ordinances and/or the National Electric Code. If you are unfamiliar with the methods of installing electrical wiring and products, secure the services of a qualified and licensed electrician as well as someone who can check the strength of the supportive ceiling members and make the proper installations and connections.
- 3]. Make sure that your installation site will not allow rotating fan blades to come in contact with any object. Blades should be at least 7 feet from floor when fan is in operation.
- 4]. If possible, mount ceiling fan on a ceiling joist - the joist must be able to support the motion and weight of the moving fan. If the fan will be mounted on a ceiling outlet box, a 4" x 2-1/8" deep METAL octagon box is required ; one UL listed as " suitable for fan support ". The box and its supporting members must not be able to twist or work loose. **DO NOT USE PLASTIC BOXES.** Installation on a concrete ceiling should be performed by qualified personnel.
- 5]. Blades should be attached after motor housing is hung and in place. Fan motor housing should be kept in carton until ready to be installed to protect its finish. If you are installing more than one ceiling fan, make sure that you do not mix fan blade sets.
- 6]. After making electrical connections, spliced conductors should be turned upward and pushed carefully up into outlet box. The wires should be spread apart with the grounded conductor and the equipment - grounding conductor on one side of the outlet box and the " HOT " wires on the other side.
- 7]. Electrical diagrams are for reference only. Light kits that are not packed with the fan must be UL/ETL listed and should be installed per the light kit's installation instructions.
- 8]. After fan is completely installed, check to make sure that all connections are secure to prevent fan from falling and/or causing damage or injury.
- 9]. The fan can be made to work immediately after installation. The bearings are adequately charged with grease, so that under normal conditions, further lubrication should not be necessary.
- 10]. The fan must be turned off and stopped before reversing fan direction.
- 11]. **This fan is reversible.**
- 12]. **This fan is light kit adaptable.**
- 13]. **This fan is suitable for indoor use.**

Unpack and inspect fan carefully to be certain all contents are included.



Hardware Bag

For Mounting Bracket:

Flat Washer x2		
Spring Washer x2		
Machine Screw x2		
Wood Screw x2		

For Wire Connection:

Wire Nut x 3			
--------------	--	--	--

For Blade Installation:

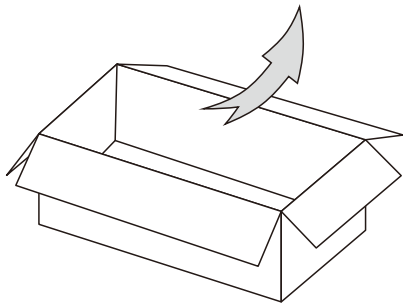
Blade Screw x 13 (one spare screw included)												
Paper Washer x 13 (one spare washer included)												
Motor Screw x 9 (one spare screw included)												

For Blade Balance :

Balancing Slide x 1			
Weight block (3G x 3)			

For Fan :

Pull Chain Knob x1	
--------------------	--

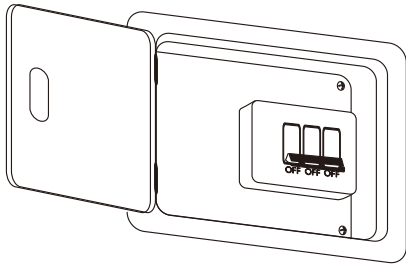


Unit pack / all in one box

WARNING: blades should be at least 7 feet from floor

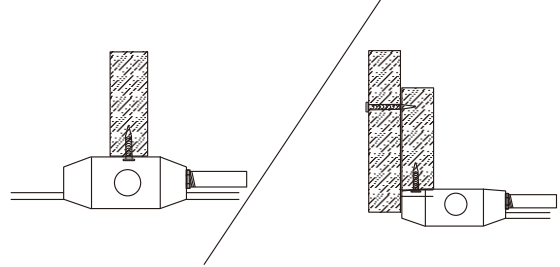
Note 1:

Turn off power at breaker box to avoid possible electrical shock.



Note 2:

Use metal outlet box suitable for fan support.
Outlet box must support 35 lbs min.

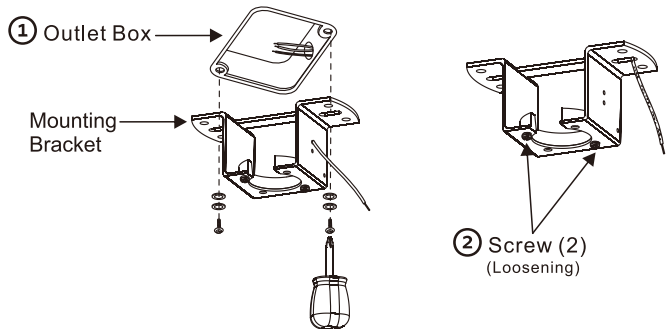


1. HANGING SYSTEM INSTALLATION

1A. Installing mounting bracket to ceiling outlet box

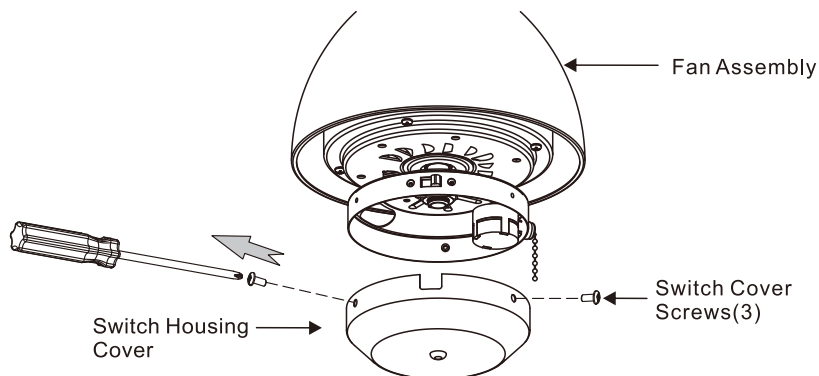
① Install mounting bracket to outlet box in ceiling by using screws included with the outlet box and washers from the hardware bag.

② Loosen the bottom screws from Mounting Bracket.
Do not remove the screws.

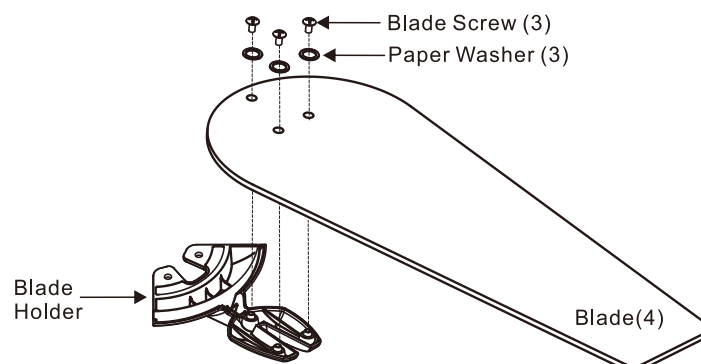


2. BLADE INSTALLATION

2-1. Remove 3 screws from switch housing cover and keep them for Step 7 in Page 6 .

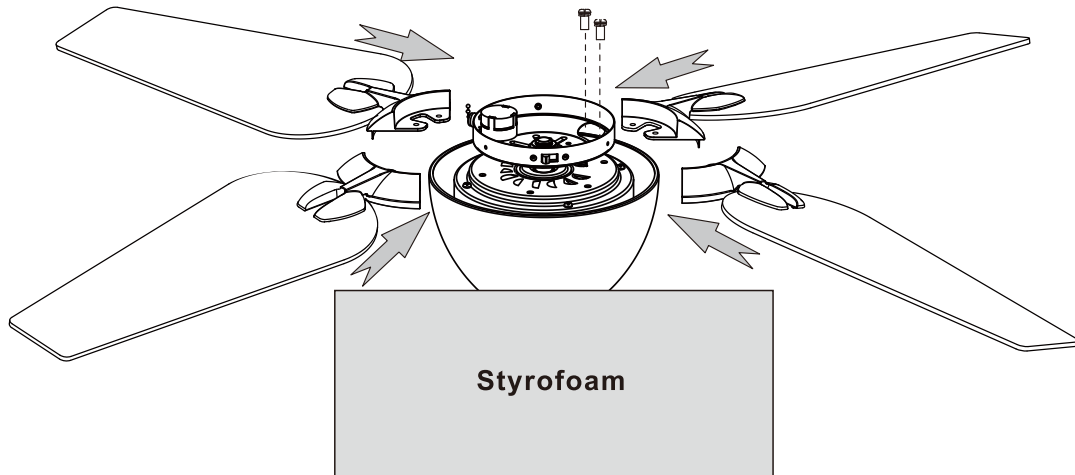


2-2. Attach blade to blade holder with 3 blade screws and 3 paper washers provided from hardware bag. Make sure all screws are firmly tightened.
(* Repeat until all 4 blades are installed firmly.)



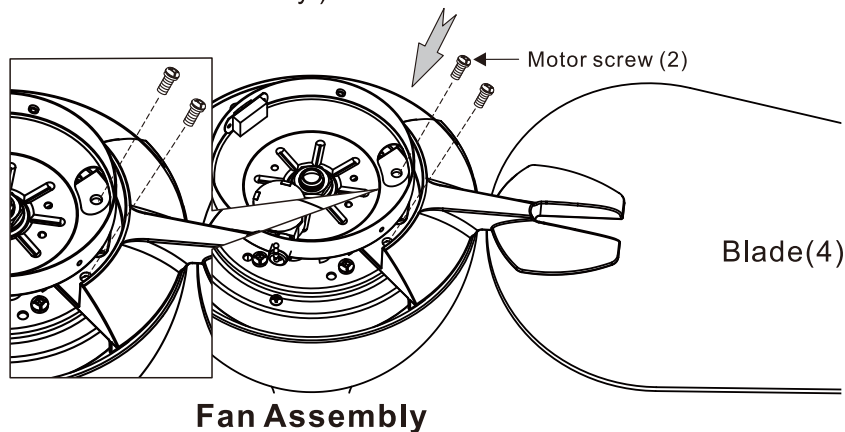
***2-3. Use Styrofoam as cushion for this step.**

***Place the fan assembly on Styrofoam with switch cap up.**



2-4. Secure Blade Assembly to the motor with 2 motor screws provided from hardware bag through rectangular hole.

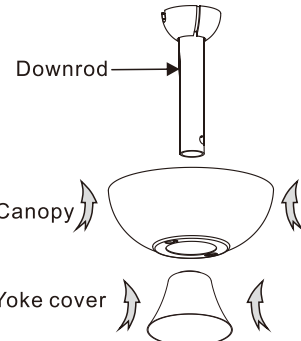
NOTE: To prevent wobble, do not bend blade or blade holder.
(* Repeat until all 4 blades are installed firmly.)



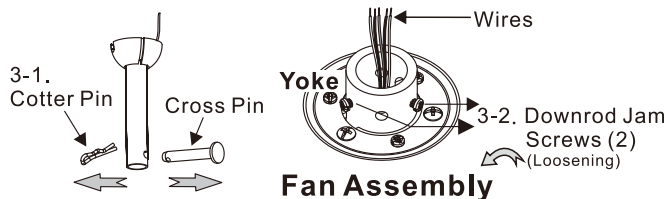
***Note: Make sure all blade washers & screws are tightened to avoid operating noise.**

3. DOWNROD INSTALLATION

Downrod Assembly

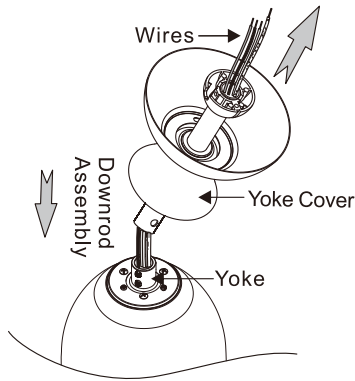


Downrod Assembly



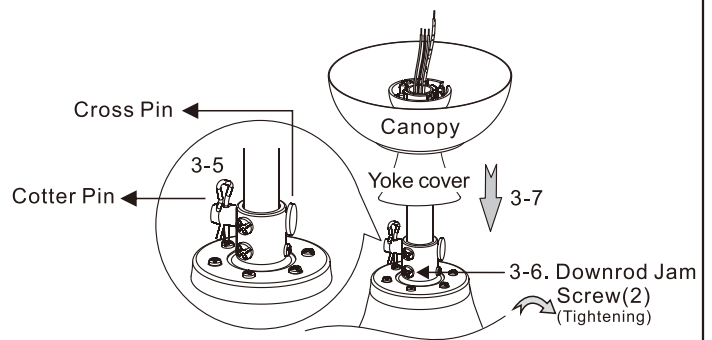
3-1. Remove cross pin and cotter pin from downrod.
3-2. Loosen 2 downrod jam screws at yoke.

3-3. As shown above, assemble yoke cover, deco ring and canopy onto downrod.



Fan Assembly

3-4. Insert the lead wires through the downrod assembly.

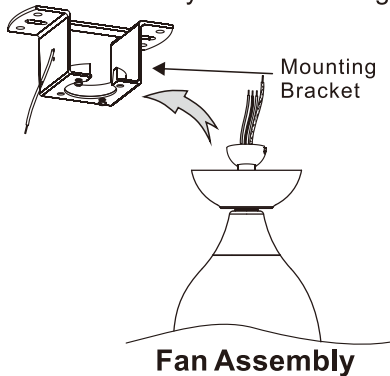


Fan Assembly

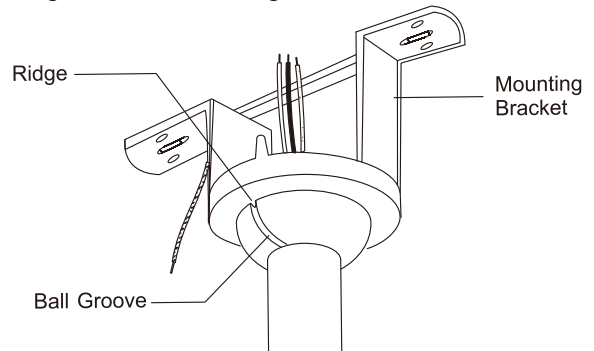
3-5. Insert downrod assembly into yoke and attach the cross pin through yoke & downrod, secure with cotter pin.
 3-6. Tighten both downrod jam screws to further secure downrod.
 3-7. Pull down the yoke cover to cover yoke.

4. HANGING THE FAN ONTO MOUNTING BRACKET

4-1. Lift fan assembly onto mounting bracket.



4-2. Rotate fan so that the groove on the ball engages the ridge in the mounting bracket.



5. WIRE CONNECTION

Follow diagram below and make sure that all exposed wires are secured inside wire nuts or terminal block.
 Note : Wires from house may vary in color and may not include ground wire (green).

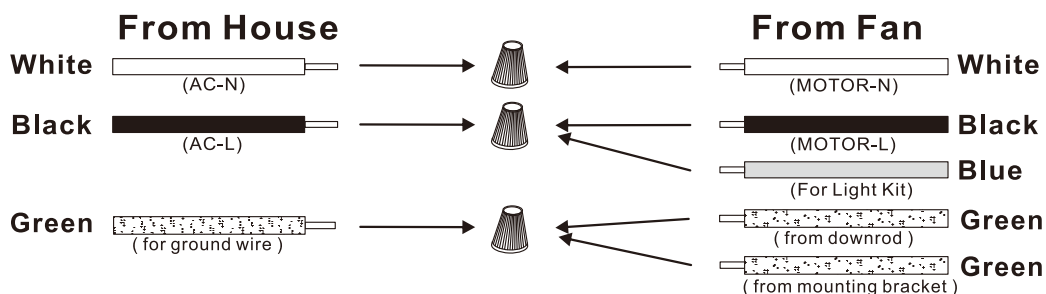
*White wire from house to white wire from fan

*Black wire from house to black wire and blue wire from fan

*Ground wire from house to green wire from downrod and from mounting bracket

*Secure with twist - lock wire nuts. (Included)

*After wiring is completed, gently push wires into junction box with wire nuts pointing upward.



Secure with twist - lock wire nuts.

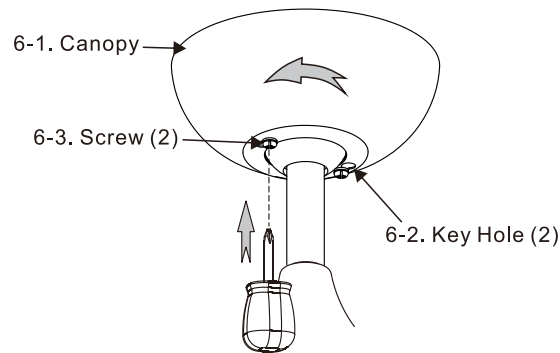
6. CANOPY INSTALLATION

Note: Two screws are pre-installed on mounting bracket for canopy installation.

6-1. Push up canopy until two screws pre-screwed on mounting bracket are engaged with two key holes on canopy.

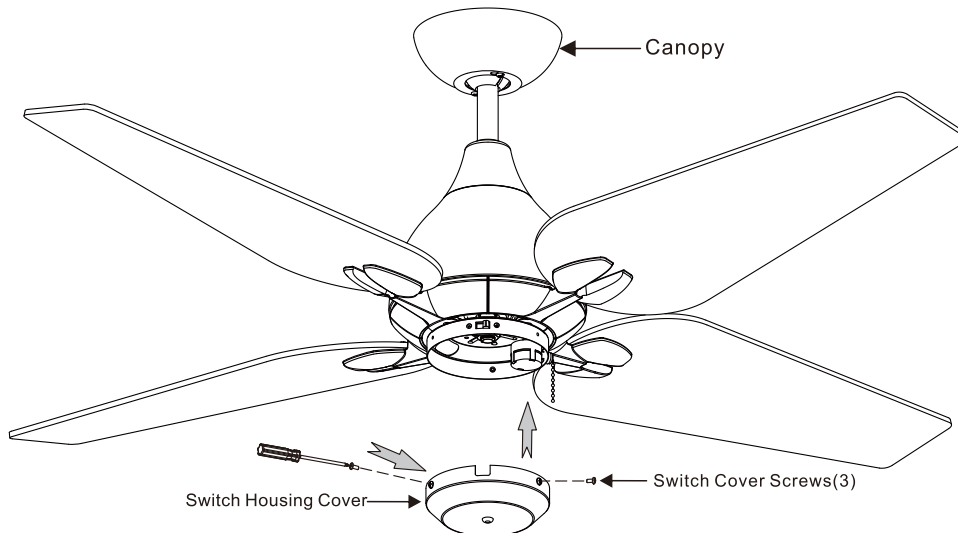
6-2. Rotate canopy slightly until two pre-installed screw heads are engaged in the narrow end of key holes.

6-3. Tighten both screws.



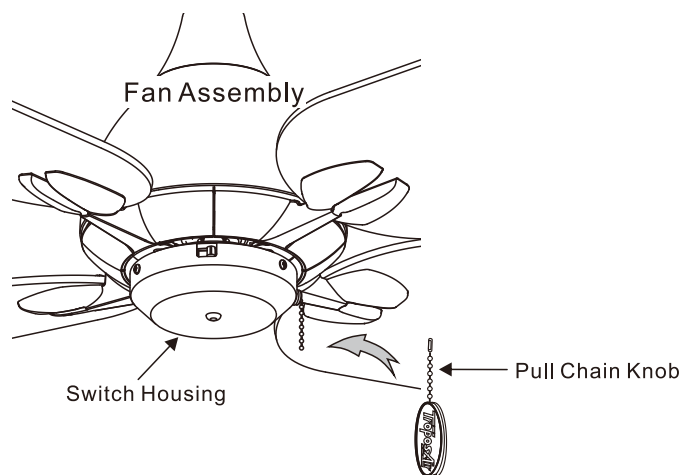
7. ATTACH THE SWITCH HOUSING BACK

Attach the switch housing cover back and tighten 3 screws removed from Step 2-1 in Page 3.



8. PULL CHAIN KNOB INSTALLATION

Connect Pull Chain Knob provided from hardware bag to the pull chain from switch housing.



9. Turn on the power at breaker box - your fan is ready for operation.