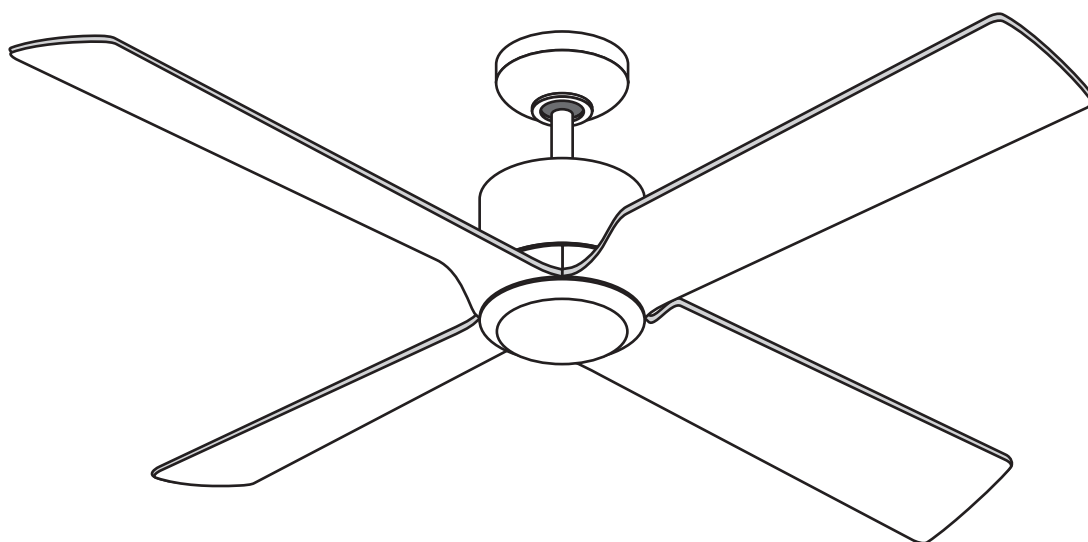


Owner's Manual



Estero



Model No:
52DFN-L

These instructions contain 5 pages:

Page 1: Foreword

Page 2: Unpack and inspect parts contained, and pre-installation notes

Page 3: Hanging system installation

Page 4: Wiring connections and Canopy and Blade installation

Page 5: Light/Cover installation and Remote Setting

Net Weight

5.7 KGS

12.6 LBS

Toll Free 1-855-676-7247

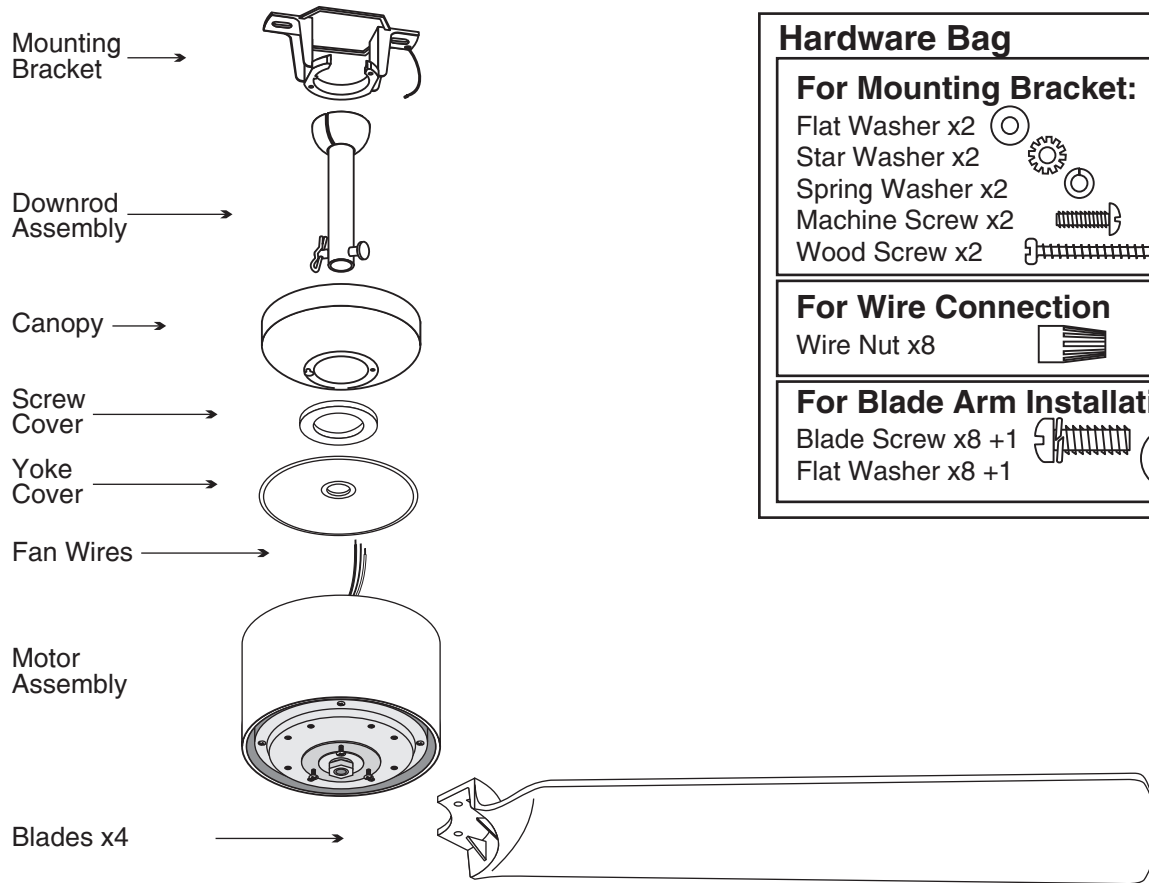
WARNING: Read and follow these instructions carefully and be mindful of all warnings shown throughout.

READ AND SAVE THESE INSTRUCTIONS

WARNING : TO REDUCE THE RISK OF FIRE, ELECTRICAL SHOCK, OR INJURY TO PERSONS, PLEASE OBSERVE THE FOLLOWING:

- 1.] To ensure success of installation, be sure read these instructions and review the diagrams thoroughly before beginning.
- 2.] **To avoid possible electric shock, be sure electricity is turned off at the main power box before wiring.**
All electrical connections must be made in accordance with local codes, ordinances and/or the National Electrical Code. If you are unfamiliar with the methods of installing electrical wiring and products, secure the services of a qualified and licensed electrician as well as someone who can check the strength of the supportive ceiling members and make the proper installations and connections.
- 3.] Make sure that your installation site will not allow rotating fan blades to come into contact with any object. Blades should be at least 7 feet from the floor when fan is in operation.
- 4.] If possible, mount ceiling fan on a ceiling joist - the joist must be able to support the motion and weight of the moving fan. If the fan will be mounted on a ceiling outlet box, a 4" x 2 1/8" deep METAL octagon box is required; one UL listed as "suitable for fan support". The box and its supporting members must not be able to twist or work loose. **DO NOT USE PLASTIC BOXES.** Installation on a concrete ceiling should be performed by qualified personnel.
- 5.] Blades should be attached after motor housing is hung and in place. Fan motor housing should be kept in carton until ready to be installed to protect its finish. If you are installing more than one ceiling fan, make sure that you do not mix fan blade sets.
- 6.] After making electrical connections, spliced conductors should be turned upward and pushed carefully up into the outlet box. The wires should be spread apart with the grounded conductor and the equipment-grounding conductor on one side of the outlet box and the "HOT" wires on the other side.
- 7.] Electrical diagrams are for reference only. Light kits that are not packed with the fan must be UL/ETL listed and should be installed per the light kit's installation instructions.
- 8.] After fan is completely installed, check to make sure that all connections are secure to prevent fan from falling and/or causing damage or injury.
- 9.] The fan can be made to work immediately after installation. The bearings are adequately charged with grease, so that, under normal conditions, further lubrication should not be necessary.
- 10.] The fan turns off and stops before reversing fan direction.
- 11.] This fan is suitable for sloped ceiling.
- 12.] This fan is electrically reversible.
- 13.] This fan includes a light.
- 14.] This fan is controlled by remote control.
- 15.] This fan is suitable for indoor use or damp location use.

Unpack and inspect fan carefully to be certain all contents are included.



Hardware Bag

For Mounting Bracket:

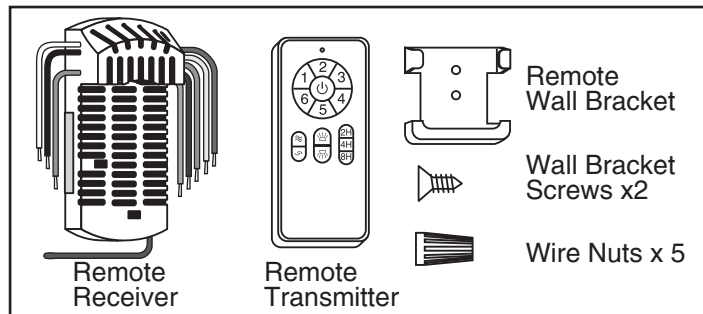
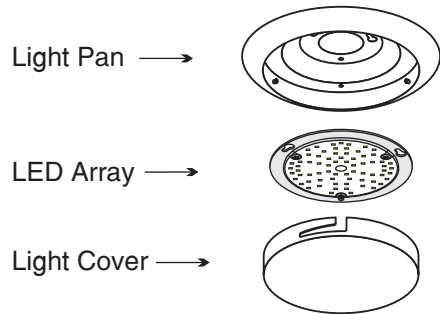
- Flat Washer x2
- Star Washer x2
- Spring Washer x2
- Machine Screw x2
- Wood Screw x2

For Wire Connection

- Wire Nut x8

For Blade Arm Installation

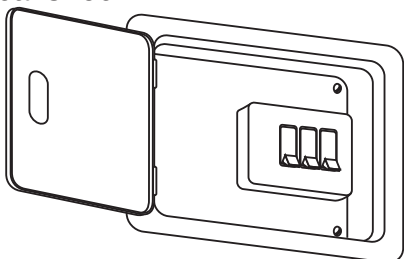
- Blade Screw x8 +1
- Flat Washer x8 +1



WARNING: blades should be at least 7 feet from floor

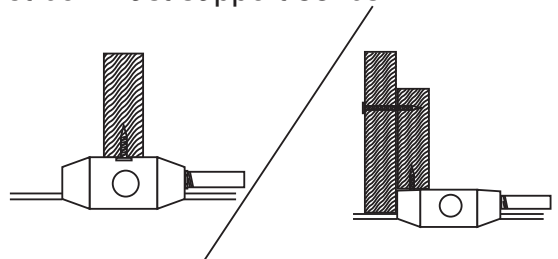
Note 1:

Turn off power at breaker box to avoid possible electrical shock.



Note 2:

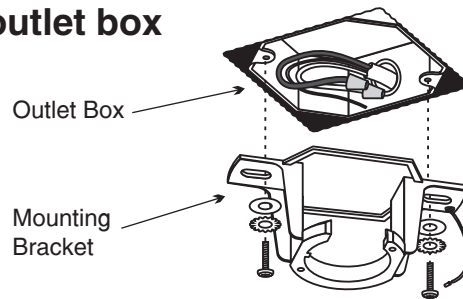
Use metal outlet box suitable for fan support. Outlet box must support 35 lbs min.



1. HANGING SYSTEM INSTALLATION

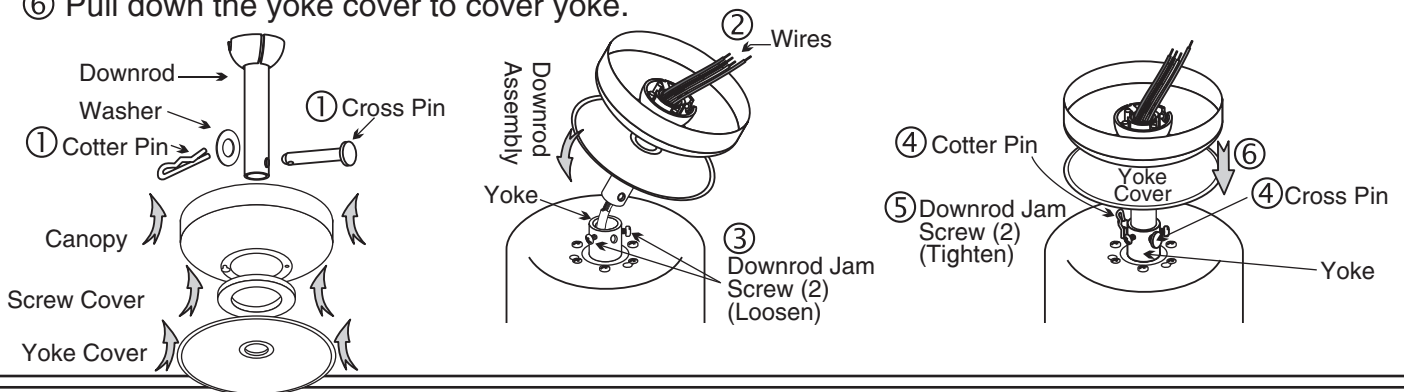
1A. Installing mounting bracket to ceiling outlet box

Install mounting bracket to outlet box in ceiling by using screws included with the outlet box and washers from the hardware bag.



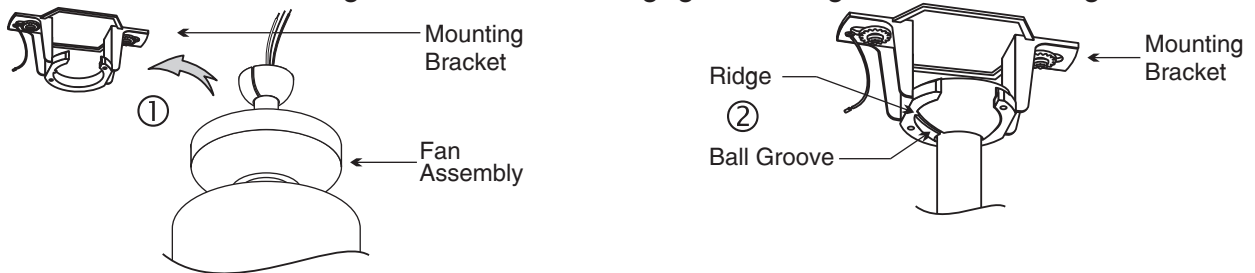
1B. Installing Downrod and Yoke

- ① Remove cross pin, washer and cotter pin from downrod.
- ② Insert downrod thru canopy, screw cover and yoke cover, & feed motor wires thru downrod.
- ③ Loosen 2 downrod jam screws at yoke. Insert downrod assembly into yoke.
- ④ Insert the cross pin through yoke & downrod and secure with washer and cotter pin.
- ⑤ Tighten both downrod jam screws to further secure downrod.
- ⑥ Pull down the yoke cover to cover yoke.



1C. Hanging the fan

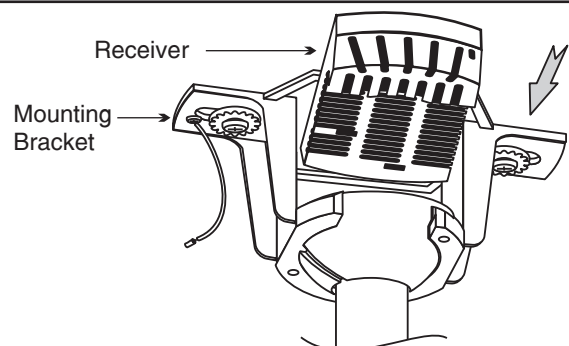
- ① Lift fan assembly onto the mounting bracket.
- ② Rotate the fan so that the groove on the ball engages the ridge on the mounting bracket.



2. RECEIVER INSTALLATION

2. Insert receiver into mounting bracket

Note: Do not squeeze all the wires while inserting the receiver into the mounting bracket.

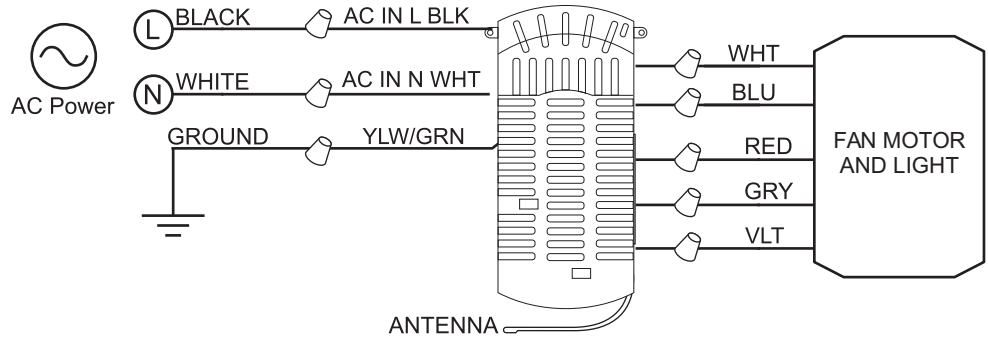


3. WIRING CONNECTION

3. Making electrical wire connections

Detailed instructions are enclosed with the remote.

For convenience basic wiring connections are shown here

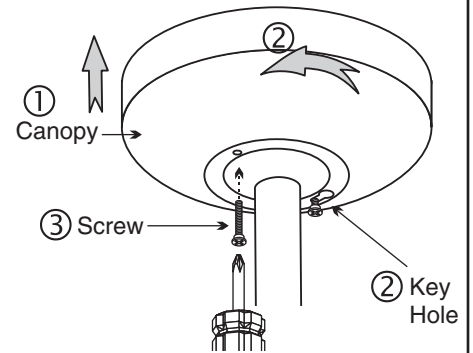


4. CANOPY INSTALLATION

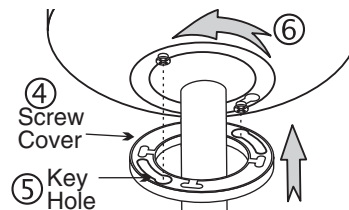
4. Installing the canopy

Note: Two screws are pre-installed on mounting bracket for canopy installation. You will need to remove one and loosen the other slightly.

- ① Push up canopy until the screw still in the mounting bracket is engaged with the large end of the keyhole on canopy.
- ② Rotate canopy slightly until the screw head is engaged in the narrow end of the key hole.
- ③ Insert the remaining canopy screw into the other hole, and tighten both canopy screws.



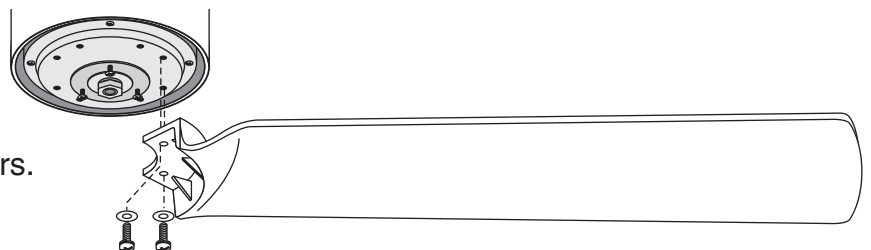
- ④ Push up Screw Cover, so that the screws heads are engaged with the large ends of the key holes in the Screw Cover.
- ⑤ Rotate Screw Cover slightly until secure.



5. BLADE INSTALLATION

5. Installing the blades

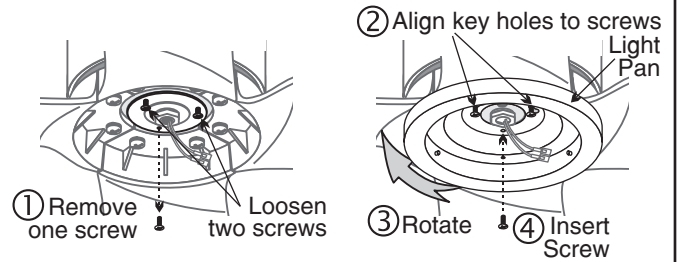
- ① Raise blade to motor face, aligning the holes to the motor.
 - ② Secure blade to motor face with blade arm screws and flat washers.
- Repeat for remaining blades.



7. LIGHT/COVER INSTALLATION

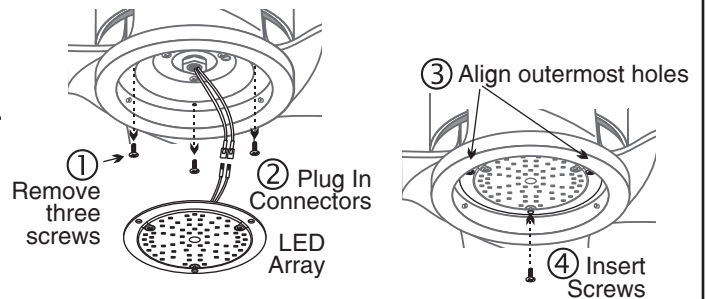
7a. Installing the Light Pan

- ① Remove one screw and loosen two screws from the central hub.
- ② Lift light pan to motor to engage the large end of the key holes with the screws.
- ③ Rotate the plate slightly to engage two screws in small ends of key holes.
- ④ Insert screw removed in step 1 and tighten all three screws.



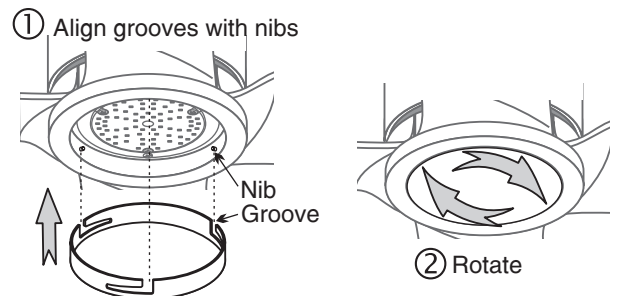
7b. Installing the LED Array

- ① Remove three screws from the light pan.
- ② Plug in wire connectors, matching wire colors.
- ③ Lift LED array to light pan, aligning the outermost holes in LED plate to the outermost threaded holes in Light Pan.
- ④ Insert screws removed in step 1 and tighten all three screws.



7c. Installing the Light Cover

- ① Lift cover to motor aligning the opening of the grooves to the nibs inside the lower plate.
- ② Rotate cover clockwise to secure it to motor assembly.



8. REMOTE SETTING

6. Setting the Remote Control

Follow the separate instructions enclosed with the remote control. This fan model has an optional integrated dimmable LED array; Use the "D" dimming setting for the Light Function Select Switch.

INSTALLATION IS COMPLETE