

READ AND SAVE THESE INSTRUCTIONS

Ramsey

Thank you for purchasing a Gulf Coast Fans Inc. product. It will provide years of cost efficient comfort. With over a decade of experience in ensuring quality workmanship at an affordable price, we stand behind our product and we hope you will too.

IMPORTANT PRECAUTIONS

- 1** Read these instructions carefully before you start.
- 2** Turn off the power at the source before installation, servicing, or cleaning.
- 3** WARNING--TO REDUCE THE RISK OF FIRE OR ELECTRIC SHOCK, DO NOT USE THIS FAN WITH ANY SOLID STATE SPEED CONTROL DEVICE. USE ONLY GULF COAST CONTROLS.
- 4** WARNING--TO REDUCE THE RISK OF PERSONAL INJURY, DO NOT BEND THE BLADE IRONS WHEN INSTALLING ON BLADES, BALANCING THE BLADES, OR CLEANING THE FAN. DO NOT INSERT FOREIGN OBJECTS IN BETWEEN ROTATING FAN BLADES.
- 5** WARNING--TO REDUCE THE RISK OF FIRE, ELECTRIC SHOCK, OR PERSONAL INJURY, MOUNT FAN TO AN OUTLET BOX MARKED "ACCEPTABLE FOR FAN SUPPORT" AND USE THE MOUNTING SCREWS PROVIDED WITH THE OUTLET BOX.
- 6** If you don't feel comfortable hanging and wiring this fan, we recommend that you hire a qualified electrician to install it.
- 7** All wiring and electrical connections must meet the National Electrical Code and any local codes that may apply.
- 8** After installation, fan blades must be at least seven (7) feet from the floor.

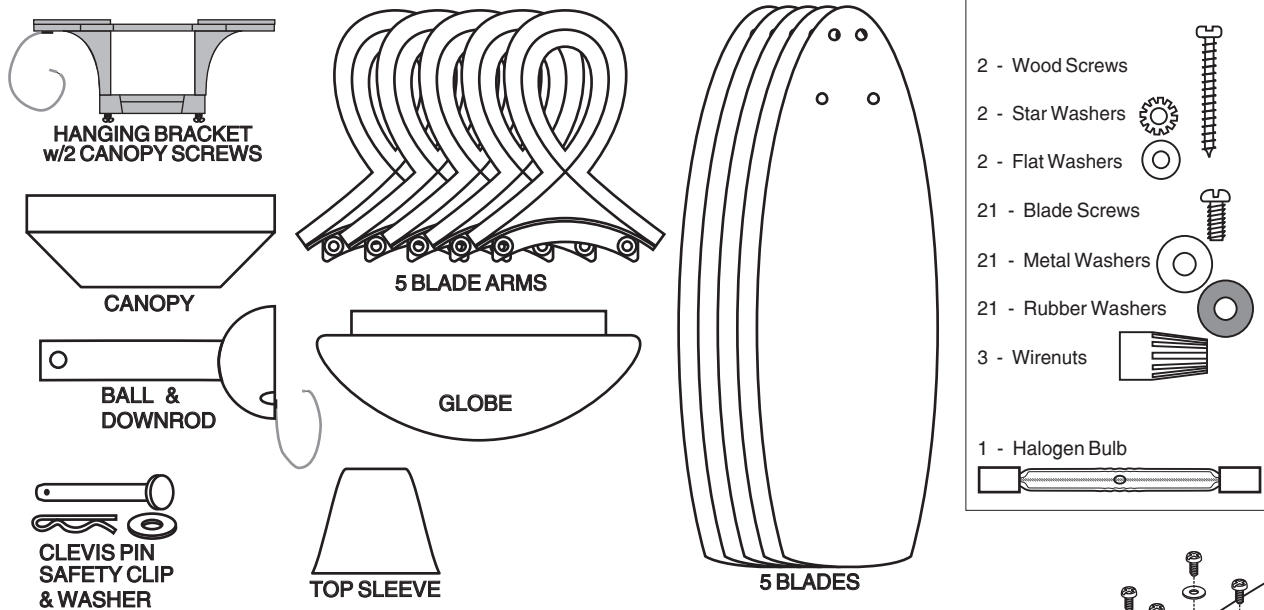
To begin with, the site of installation must be clear of any obstructions. Walls, cabinet or cupboard doors, and AC/heating vents (strong air currents will cause fan to wobble) are common obstructions. Also, you will need a securely mounted outlet box that is listed for fan support.

The only tools you will need are : A medium Phillips screwdriver, common sense, and a little caution.

I. Inventory the parts

A. Remove all of the parts from the top styrofoam and remove the styrofoam. Use this top piece to support the fan during preliminary assembly.

B. Remove all parts from plastic bags, including the screw package.



II. Preliminary Assembly.

A. Attach the blades to the blade arms using the blade screws, metal washers and rubber washers, four of each per blade, as shown in Fig 1.

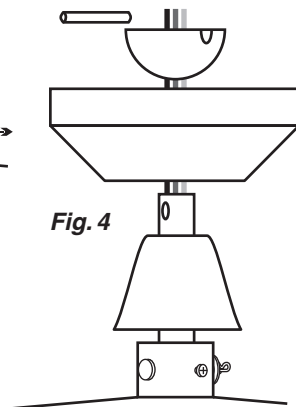
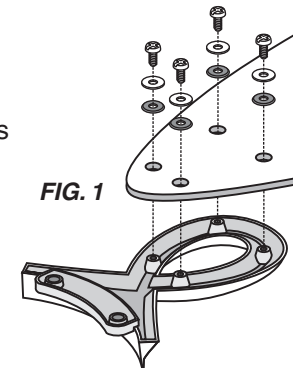
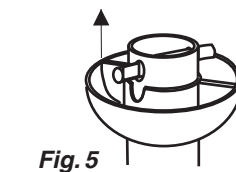
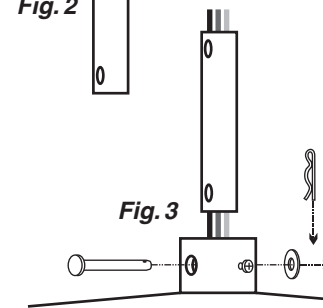
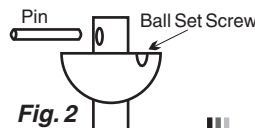
B.1. Take the ball & downrod and loosen the set screw in the ball. Remove the pin and the ball from the downrod. (If you have a longer downrod, use it now.) See Fig. 2

2. Loosen the couplers set screws. Feed the three wires from the top of the fan through the downrod and insert the downrod into the coupler. Align the holes in the downrod with the holes in the coupler. Insert the clevis pin through the coupler and the washer. Insert the safety clip in to the hole in the clevis pin. Tighten the set screws. See Fig. 3

3. Place the top sleeve, then the canopy around the downrod. Slide the ball onto the downrod and replace pin. See Fig. 4 Slide the top sleeve down over the coupler.

4. Raise the ball so that the pin is in the slot and tighten the set screw. See Fig. 5

5. Make sure all of the screws are tight. At this time you may want to shorten the wires from the fan to 6" from the ball. This helps when you tuck the wires into outlet box.



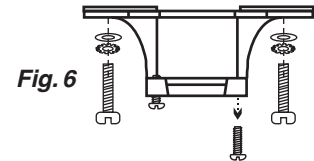
II. Preliminary Assembly

continued from page 2.

WARNING - To Reduce The Risk Of Fire, Electric Shock, Or Personal Injury Mount Fan To An Outlet Box Marked "Acceptable For Fan Support" And Use The Mounting Screws Provided With The Outlet Box.

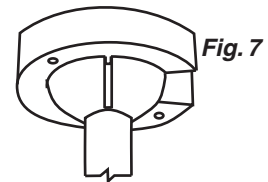
C.1. Take the hanging bracket and secure it to the outlet box (marked 'Acceptable For Fan Support') using the mounting screws provided with the outlet box. Tighten them evenly. If you are mounting the fan directly to the building structure, use the wood screws provided, and secure to a joist.

2. Remove one canopy screw (also Fig 7) and loosen the other. Make sure all of the wires are accessible and are not being pinched. Also, make sure the bracket doesn't wobble.



III. Now to hang the fan...

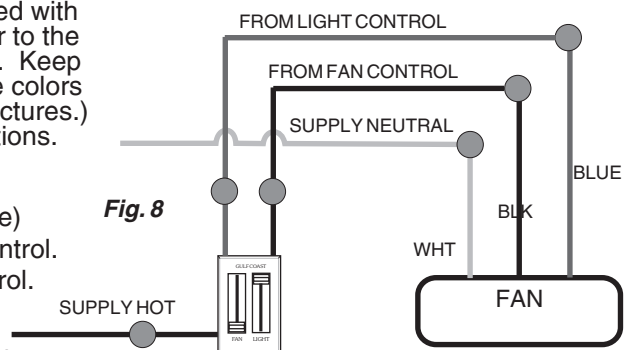
Holding the fan carefully, lift it up to hanging bracket. Place the ball into cradle of the bracket. Turn the entire motor assembly until it locks into place. The tab on the bracket must be in the groove in the ball. Make sure the wires are not being pinched.



IV. Wiring instructions.

This fan can be operated by a wall control or remote control unit. The basic wiring instructions below are for a wall control. Please refer to the instructions provided with the wall control. For use with a remote control refer to the wiring instructions provided with the remote control. Keep in mind, the supply wire colors may vary. (The wire colors in parentheses are commonly found in existing structures.) Use the large orange wirenuts to make the connections. Please be sure power supply is off!

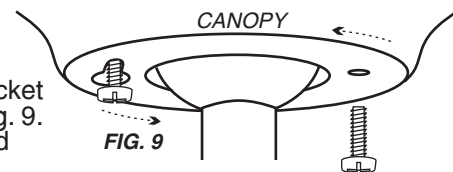
1. Green ground wires to outlet box ground. (bare)
2. Black wire from fan to (black) wire from fan control.
3. Blue wire from fan to (red) wire from light control.
4. White wire from fan to neutral supply. (white)



Now tuck the wires and wirenuts carefully into outlet box. Make sure wirenuts remain tightly on connections.

V. Final Assembly

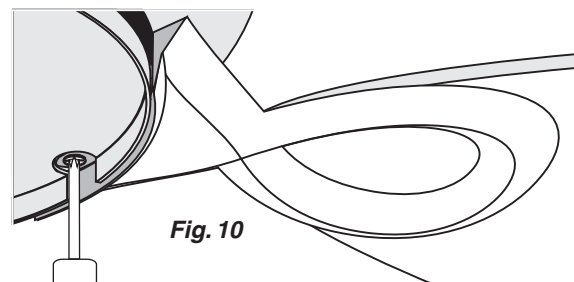
A. With the motor in place and the wires out of the way, slide the canopy up to the hanging bracket. The canopy screw in the bracket will come through the large end of the key slot in the canopy. Fig. 9. Turn the canopy slightly, counter-clockwise, to hold in place, and insert remaining canopy screw. Tighten the screws.



B. To avoid scratching the switch cup or damaging the motor, do not run the fan without the blades. So, the next step is to mount the blade assemblies on the motor.

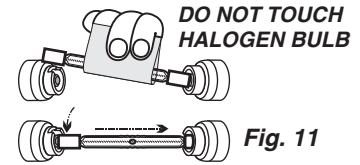
Slide the base of the blade arm beneath the halogen fitter where there is the large cutout. See Fig. 10. Line up one hole in the blade arm base with with an appropriate hole on the motor. Insert a motor screw and tighten. Rotate the motor so that the other hole on the blade arm base is visible through the cutout.

Insert another motor screw into the other hole and tighten. Repeat this with the rest of the blade assemblies, and then retighten all of the screws.

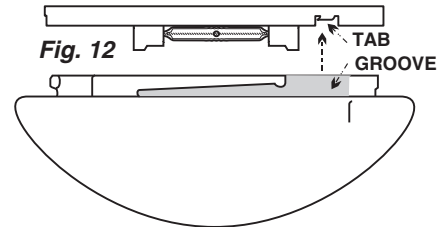


V. Final Assembly *continued from Page 3*

C. To install the halogen bulb, use the paper sleeve to install it into the bracket. Press one end of the bulb into one of the sockets until other end can be inserted into other socket. Halogen bulbs must never be touched with bare skin. The oils cause the bulb to crack and fail. If the bulb is touched, clean it off thoroughly with isopropyl alcohol and a cotton swab or lint-free cloth. Reinstall.

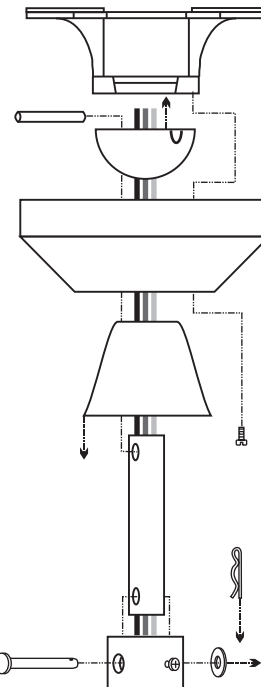


D. Install the glass globe and you're done! There are three tabs on the halogen fitter. There are corresponding grooves along the lip of the globe. See Fig 12. With the globe firmly in two hands, line up the nearest indentation with an opening to the groove on the globe. Lift the glass into place and turn it



VI. Turn the power supply back on and prepare to be comfortable!

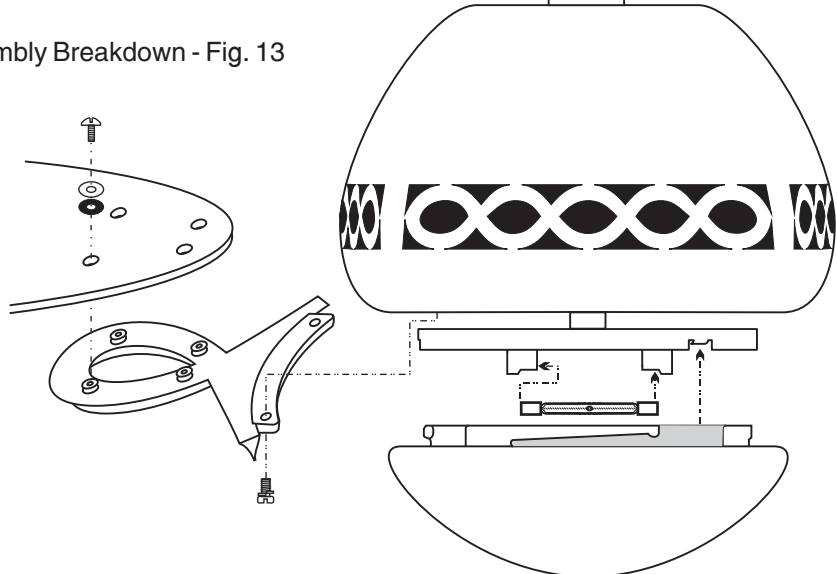
The speeds are controlled using the wall control or remote control. To reverse the airflow, turn off fan and let blades come to a complete stop. The reverse switch is located on top of the motor, recessed within one of the oval holes; slide it to the other side.



VII.

Troubleshooting	
Fan won't run -	Check power supply. Reverse switch is not fully engaged one way. Check wirenut connections at fan and switch. Double check wiring diagrams.
Fan makes noise -	Please allow 24 hrs to fully seat bearings Screw(s) is(are) loose somewhere. Ball is not seated properly in hanging bracket. Variable control (solid-state dimmer) in the circuit.
Fan wobbles -	Bracket is loose at the ceiling. Loose screw at top of fan. Ball is not seated properly in hanging bracket.

Complete Assembly Breakdown - Fig. 13



Our service department is always ready to help. We stand behind our product and always strive to satisfy our customer.
 Gulf Coast Fans, Inc.
 P.O. Box 10,000
 Oldsmar Florida
 34677-0106