

READ AND SAVE THESE INSTRUCTIONS

Palm Breeze II

It is highly recommended that a professional install this fan.

Thank you for purchasing a Gulf Coast Fans Inc. product. It will provide years of cost efficient comfort. With over a decade of experience in ensuring quality workmanship at an affordable price, we stand behind our product and we hope you will too.

IMPORTANT PRECAUTIONS

- 1** Read these instructions carefully before you start.
- 2** Turn off the power at the source before installation, servicing, or cleaning.
- 3** WARNING--TO REDUCE THE RISK OF FIRE OR ELECTRIC SHOCK, DO NOT USE THIS FAN WITH ANY SOLID STATE SPEED CONTROL DEVICE. USE ONLY GULF COAST CONTROLS.
- 4** WARNING--TO REDUCE THE RISK OF PERSONAL INJURY, DO NOT BEND THE BLADE IRONS WHEN INSTALLING ON BLADES, BALANCING THE BLADES, OR CLEANING THE FAN. DO NOT INSERT FOREIGN OBJECTS IN BETWEEN ROTATING FAN BLADES.
- 5** WARNING--TO REDUCE THE RISK OF FIRE, ELECTRIC SHOCK, OR PERSONAL INJURY, MOUNT FAN TO AN OUTLET BOX MARKED "ACCEPTABLE FOR FAN SUPPORT" AND USE THE MOUNTING SCREWS PROVIDED WITH THE OUTLET BOX.
- 6** If you don't feel comfortable hanging and wiring this fan, we recommend that you hire a qualified electrician to install it.
- 7** All wiring and electrical connections must meet the National Electrical Code and any local codes that may apply.
- 8** After installation, fan blades must be at least seven (7) feet from the floor.

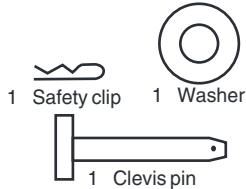
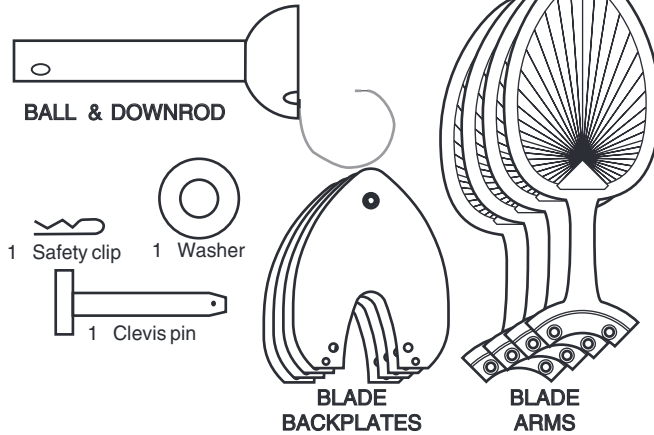
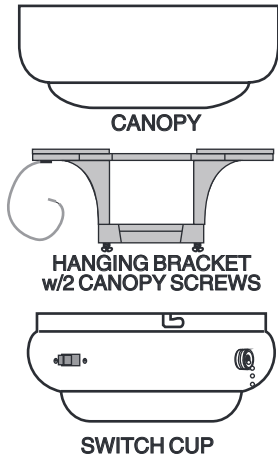
To begin with, the site of installation must be clear of any obstructions. Walls, cabinet or cupboard doors, and AC/heating vents (strong air currents will cause fan to wobble) are common obstructions.

Also, you will need a securely mounted outlet box that is listed for fan support.

The only tools you will need are : A medium Phillips screwdriver, wire cutter/stripper, common sense, and a little caution.

I. Inventory the parts

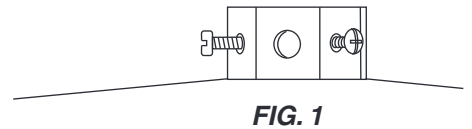
- A. Remove all of the parts from the top styrofoam and remove the styrofoam. Use this top piece to support the fan during preliminary assembly.
- B. Remove all parts from plastic bags, including the blades and screw package.



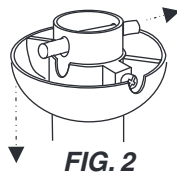
Screw Package	
2 - Wood Screws	
2 - Star Washers	
2 - Flat Washers	
13 - Blade Screws	
13 - Blade Washers	
3 - Wirenuts	
3 - Switch Cup Screws	

II Preliminary Assembly.

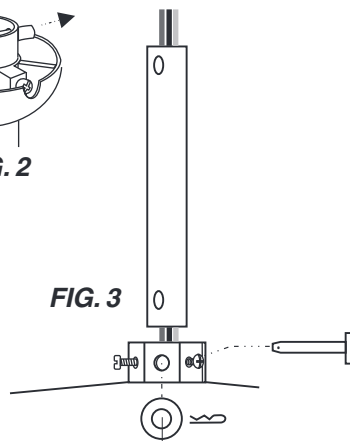
- A. Place the motor (with the switch cup mounting plate down) in the top styrofoam. Loosen the two set screws in the coupler (Fig. 1).



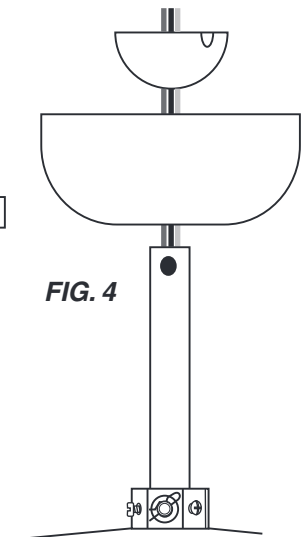
- B. Remove the ball from the downrod by loosening the set screw, sliding the ball down slightly and removing the ball pin. (Fig.2)



- C. Thread the motor wires into the downrod. Seat the downrod into the coupler with the holes in each aligned. Insert the clevis pin, and secure with the washer and safety clip (Fig. 3) Tighten the coupler set screws against the downrod.



- D. Thread the wires through canopy and ball. Slide the ball onto the downrod. (Fig. 4)



- E. Replace the ball pin in the downrod and slide the ball up so that the pin is in the slot in the ball (Fig 5). Tighten the ball set screw.

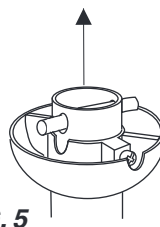


FIG. 5

II Preliminary Assembly *continued from page 2.*

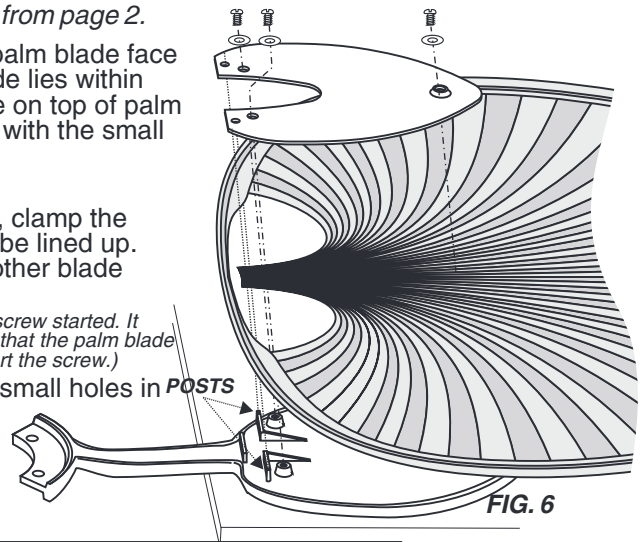
F.1. Place the blade arm face (decorative side) down. Place the palm blade face (bordered side) down on top so that the base of the palm blade lies within the trenches of the blade arm. Place the blade arm backplate on top of palm blade (dent should be up) so that the blade arm posts line up with the small holes in the backplate. (Fig 6)

2. Using 2 of the blade screws and washers in the nearby holes, clamp the palm blade firmly. With the screws in place, the tip holes will be lined up. Punch through the palm blade with a sharp object. Insert another blade screw and washer and tighten.

(This will compress the center of the palm blade and may be difficult to get the screw started. It helps to lie the motor end of the blade arm off the edge of a working surface so that the palm blade lies flat. Now you can exert as much force on the backplate tip as needed to start the screw.)

Tighten all 3 blade screws firmly until posts are flush through small holes in **POSTS** backplate. Repeat with the remaining blades.

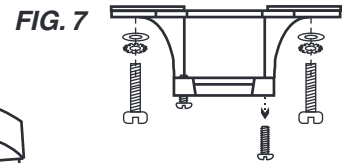
3. At this time you may want to shorten the wires from the fan to 6" from the ball. This helps when you tuck the wires into outlet box.



WARNING - To Reduce The Risk Of Fire, Electric Shock, Or Personal Injury Mount Fan To An Outlet Box Marked "Acceptable For Fan Support" And Use The Mounting Screws Provided With The Outlet Box.

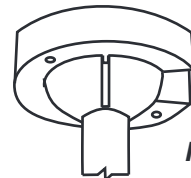
G.1. Take the hanging bracket and secure it to the outlet box (marked Acceptable For Fan Support) using the mounting screws provided with the outlet box (Fig 7). Tighten them evenly. If you are mounting the fan directly to the building structure, use the wood screws provided, and secure to a joist.

2. Remove one canopy screw (also Fig 7) and loosen the other. Make sure all of the wires are accessible and are not being pinched. Also, make sure the bracket doesn't wobble.



III. **Now to hang the fan...**

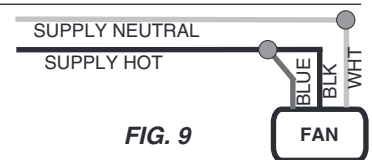
Holding the fan firmly, carefully lift it up to hanging bracket. Place the ball into cradle of the bracket. Turn the entire motor assembly until it locks into place. The tab on the bracket must be in the groove in the ball. Make sure the wires are not being pinched.



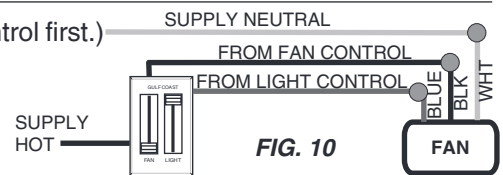
IV. **Wiring methods and instructions.**

There are three common wiring methods; choose the one best suited to your needs. Keep in mind, the supply wire colors may vary. (The wire colors in parentheses are commonly found in existing structures.) Use the large orange wirenuts to make the connections. It is a good idea to wire the blue light kit wire now, even if you don't have a light kit. It may save you some trouble in the future.

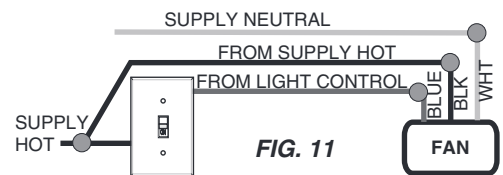
- A. Pull chain operation only.
1. Green ground wires to outlet box ground (bare)
 2. Black and blue wires from fan to hot supply (black)
 3. White wire from fan to neutral supply (white)



- B. Wall control for both fan and light kit (Read the instructions for the wall control first.)
1. Green ground wires to outlet box ground. (bare)
 2. Black wire from fan to (black) wire from fan control.
 3. Blue wire from fan to (red) wire from light control.
 4. White wire from fan to neutral supply. (white)



- C. Pull chain operation of fan - Wall control for the light.
1. Green ground wires to outlet box ground. (bare)
 2. Black wire from fan to hot supply. (black)
 3. Blue wire from fan to (red) wire from wall control.
 4. White wire from fan to neutral supply. (white)



Now tuck the wires and wirenuts carefully into outlet box. Make sure wirenuts remain tightly on connections.

If you have a Gulf Coast Remote Control, fan should be wired according to method A. Method B can be used with two separate controls for the fan and light, or with a combination wall control, such as a 423L Gulf Coast control.

V. With the motor in place and the wires out of the way, slide the canopy up to the hanging bracket. The canopy screw in the bracket will come through the large end of the key slot in the canopy. Fig. 12. Turn the canopy slightly, counter-clockwise, to hold in place, and insert remaining canopy screw. Tighten the screws.

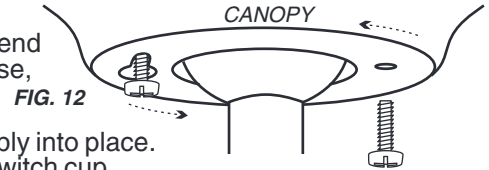


FIG. 12

VI. The next step is to mount the blade assemblies on the motor. Lift blade assembly into place. Balancing a motor screw on the end of the screwdriver, guide it up next to the switch cup plate and insert into a hole in the base of the blade iron. Fig. 13. Start this screw in an appropriate hole in motor. Now insert another into the other hole and tighten both screws. Repeat this with the rest of the blade assemblies, and retighten all of the screws.

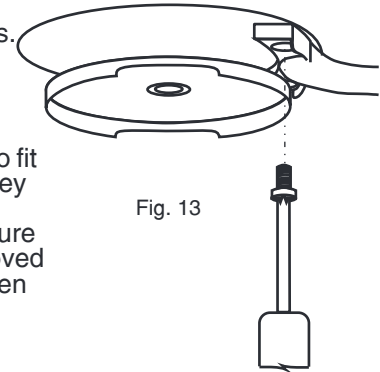


Fig. 13

VII. You're just about done now. The switch cup is the last step, and it's simple. Notice the wire connectors in the switch cup and on the motor. They are color coded and notched to fit only one way. Check the pins in both connectors for alignment as shown in Fig. 14. If they are only slightly misaligned, bundle the wires tightly behind the connector when connecting. Push the connectors together until latch secures them together and make sure none of the pins were pushed out. Lift the cup into place. Insert one of the screws removed earlier and thread into switch cup plate. Insert the remaining switch cup screws and tighten all. Fig. 15.

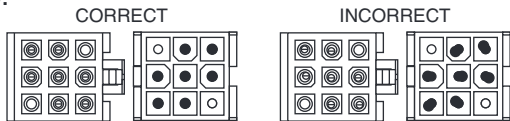


Fig. 14

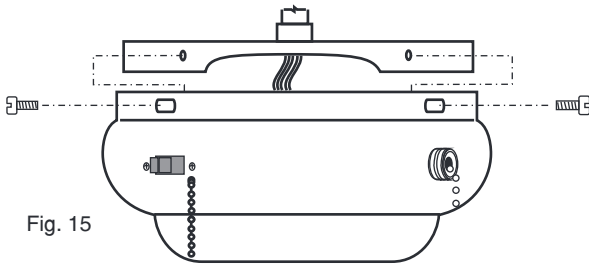
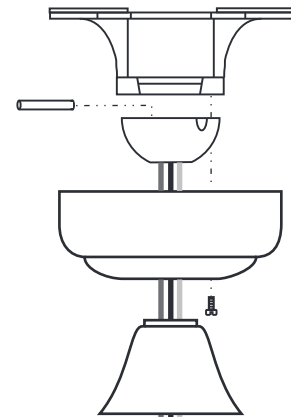


Fig. 15

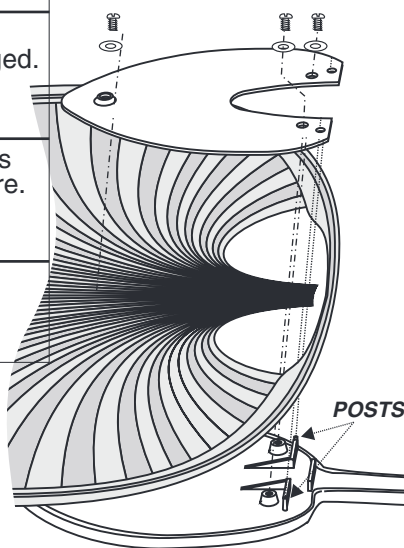
VIII Turn the power supply back on and prepare to be comfortable!

The first pull of the chain will give you high speed. The second is medium speed, and the third is low speed. Once again will turn it off. With the reverse switch in the left position, the fan will provide downward air movement, this is the recommended setting. In the right position, air movement is upward.



Complete Assembly Breakdown Fig. 16

IX. Troubleshooting	
Fan won't run -	Check power supply. Reverse switch is not fully engaged. Check wirenut connections. Double check wiring diagrams.
Fan makes noise -	Allow 24 hrs to fully seat bearings Screw(s) is(are) loose somewhere. Ball is not seated properly. Solid-state control in the circuit.
Fan wobbles	Bracket is loose at the ceiling. Loose screw at top of fan. Ball is not seated properly.



We stand behind our product and always strive to satisfy our customer.

Gulf Coast Fans, Inc.
P.O. Box 10,000
Oldsmar Florida 34677
(813)-855-7384