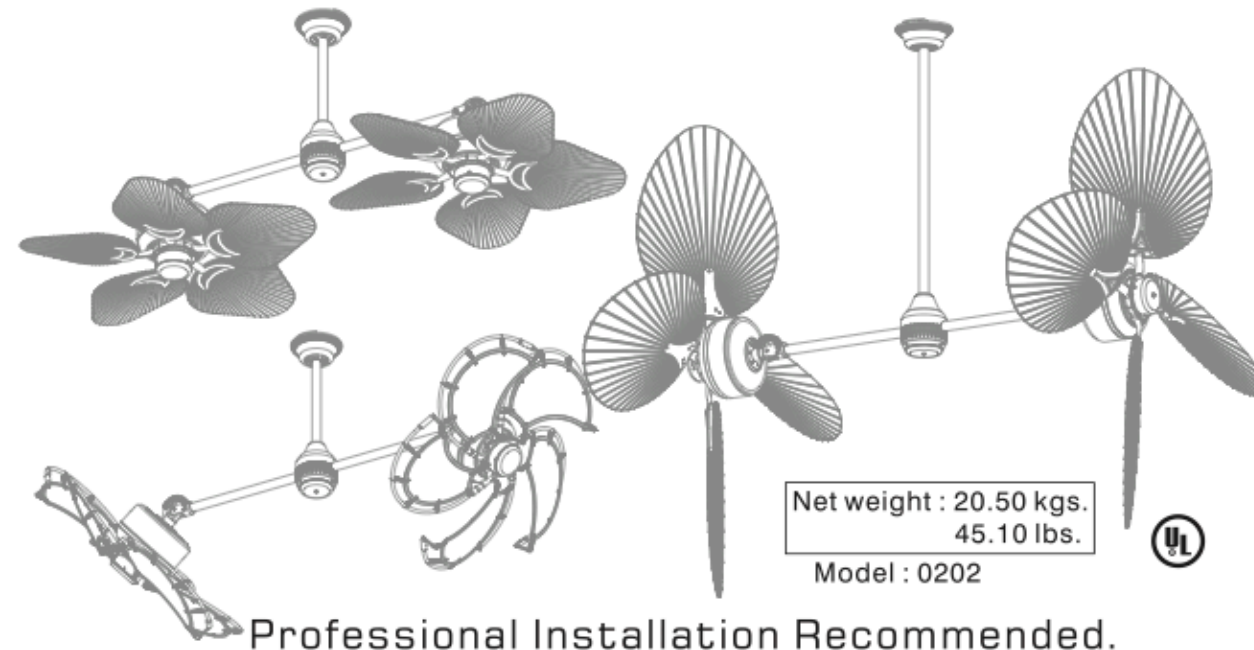


Twin Star III

Owner's Manual



READ AND SAVE THESE INSTRUCTIONS

WARNING:

TO REDUCE THE RISK OF FIRE, ELECTRICAL SHOCK, OR INJURY TO PERSONS, OBSERVE FOLLOWING:

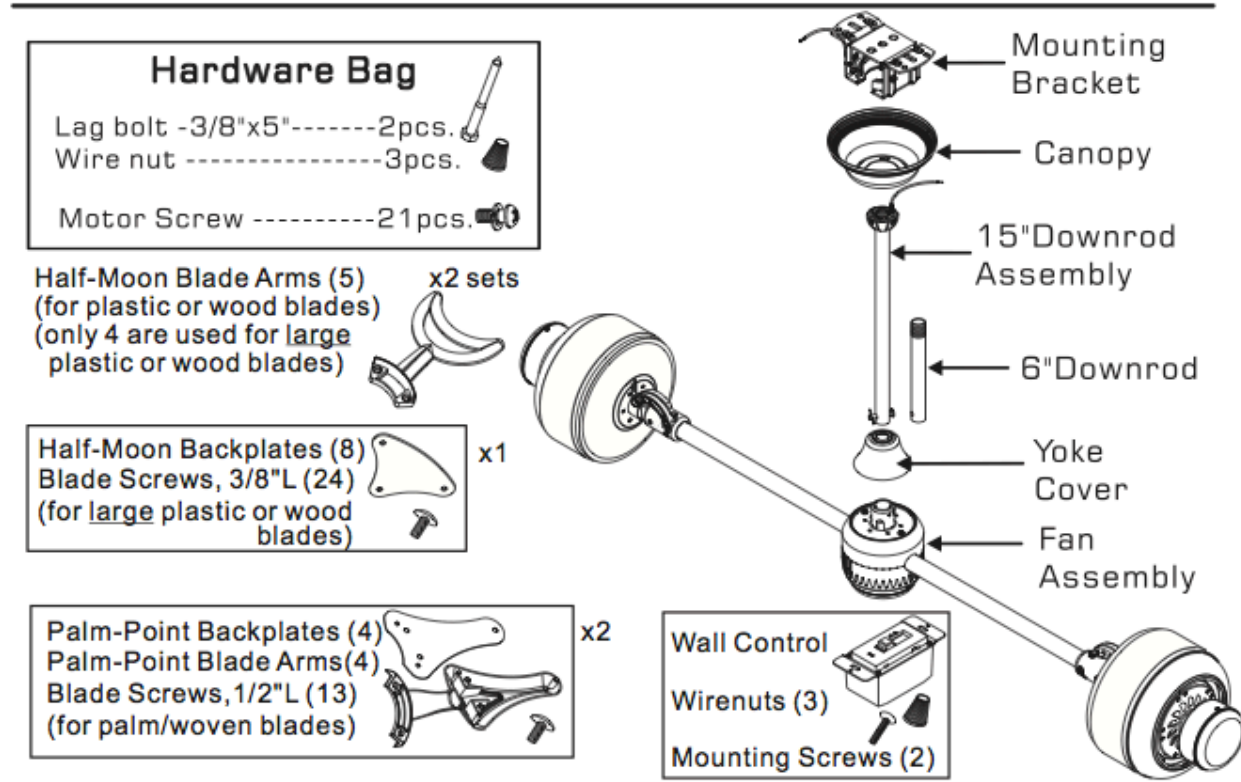
1. Use this unit only in the manner intended by the manufacturer. If you have questions, contact the manufacturer at the address or telephone number listed in warranty.
2. Before servicing or cleaning unit, or installing a light kit, switch power off at service panel and lock service panel to prevent power from being switched on accidentally. When the service disconnecting means cannot be locked, securely fasten a prominent warning device, such as a tag, to the service panel.
3. Installation work and electrical wiring must be done by a qualified person(s) in accordance with all applicable codes and standards, including fire-rated construction codes and standards.
4. If the fan will be mounted to a ceiling joist, the joist must be able to support the moving weight of the fan (at least 220 lbs.)
5. When cutting or drilling into wall or ceiling, do not damage electrical wiring and other hidden utilities. This unit must be grounded.
6. After installation is complete, make sure that all connections are secure to prevent the fan from falling.
7. Make sure all wire connections are secure, and that there are no exposed conductor strands.
8. **WARNING: TO REDUCE THE RISK OF PERSONAL INJURY, DO NOT BEND THE BLADE BRACKETS WHEN INSTALLING THE BRACKETS, BALANCING THE BLADES, OR CLEANING THE FAN. DO NOT INSERT FOREIGN OBJECTS IN BETWEEN ROTATING FAN BLADES.**
9. Make sure that your installation will not allow the fan to come into contact with any adjacent obstacles, such as doors, hanging lamps, etc.
10. If you are installing more than one ceiling fan, do not mix the blade sets.
11. The fan must be mounted with at least 7 feet of clearance between fan blades and floor.



Dan's Fan City, Inc.
Gulf Coast Fans, Inc.
300 Dunbar Avenue
Oldsmar, FL 34677-0106

Unpack and inspect fan carefully to be certain all contents are included.

PARTS LIST

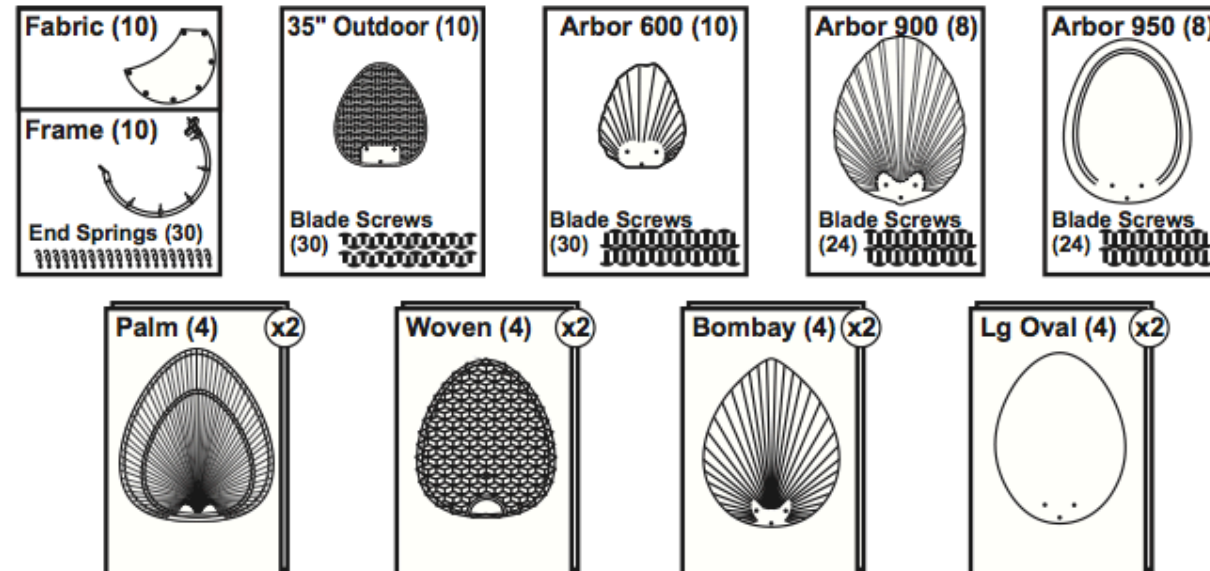


Note : 30" downrod is sold separately.

PARTS PACKAGED SEPARATELY

30" Downrod (may be reqd for large wood or plastic blades)

All Blades are Packaged Separately



BLADE OPTIONS

Which parts to use for each Blade Option.

35" Wood or Plastic Blades

35" Series 600 Arbor Blades, Packaged Separately x10

Arbor Blade Screws, Packaged w/ Blades x32

OR

35" Wicker/Leaf ABS Blades Packaged Separately x10

ABS Blade Screws, Packaged w/ Blades x32

Half Moon Blade Arms, Packaged in Fan x10

32" Spring Frame Fabric Blades

Fabric, Packaged Separately x10

End Springs, Packaged with Frames x20

Frames, Packaged Separately x10

48" or 54" Palm or Woven Blades

48 or 54" Palm Blades Packaged Separately x8 (x2 boxes x4, +1 Extra)

OR

54" Woven Bamboo Blades Packaged Separately x8 (x2 boxes x4)

Palm Point Blade Arms, Packaged in Fan 2 boxes x4

Palm Point Backplates, Packaged in Fan with Palm Point Blade Arms (x2 x4)

Palm Point Blade Screws Packaged in Fan with Palm Point Blade Arms (x2 x12)

Large Wood or Plastic Blades

50" Large Oval Blades Packaged Separately x8 (x2 boxes x4)

OR

50" Bombay Blades Packaged Separately x8 (x2 boxes x4)

Half Moon Blade Arms, Packaged in Fan Uses Only 8

Half Moon Backplates, Packaged in Fan (x8)

Half Moon w/Backplate Blade Screws Packaged in Fan with Half Moon Backplates (x24)

Large Wood Arbor Blades

50" Series 900 Arbor Carved Wood Blades Packaged Separately x8

Arbor Blade Screws, Packaged w/ Blades x24

OR

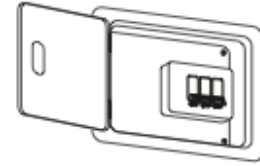
50" Series 950 Arbor Carved Wood Blades Packaged Separately x8

Arbor Blade Screws, Packaged w/ Blades x24

Half Moon Blade Arms, Packaged in Fan Uses Only 8

Half Moon Backplates, Packaged in Fan (x8)

Before Installation



Turn off power at breaker box to avoid possible electrical shock.

Warning

The fan must be hung with at least 7' of clearance from floor to blades.

Note: Two downrods are provided in the package, and the blade choice may require a longer downrod. Since different sizes of blades can be used and the motors can be angled, the correct downrod depends on

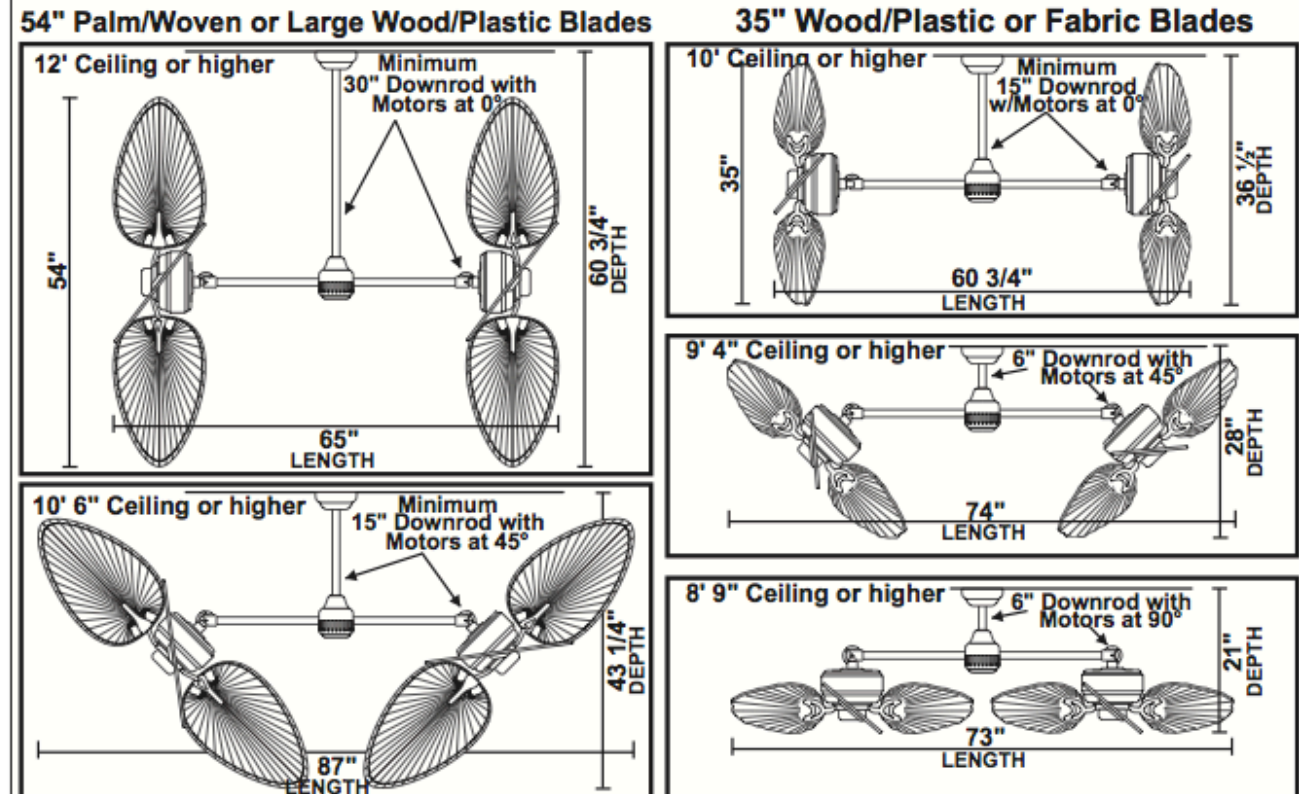
- 1.) the blades being installed,
- 2.) the motor angle (which is somewhat dependent on the blades),
- 3.) and the ceiling height.

Use the 6" downrod only when the ceiling is lower than 10 feet. Only 32" to 36" blades can be used and the motors must be angled straight down (90 degrees).

Use the 15" downrod on 10 foot ceilings. Large blades can only be mounted on motors angled at 45 degrees with this downrod.

There is an additional 30" downrod, packaged separately, for when the large blades are chosen and the motors will be straight out (0 degrees).

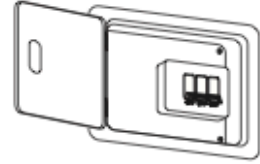
DIMENSIONS AND MINIMUM REQUIRED DOWNROD LENGTHS



The 90° Motor Position cannot be used with Large Blades.

32" Fabric Blades also fit within these specs.

Before Installation



Turn off power at breaker box to avoid possible electrical shock.

Warning

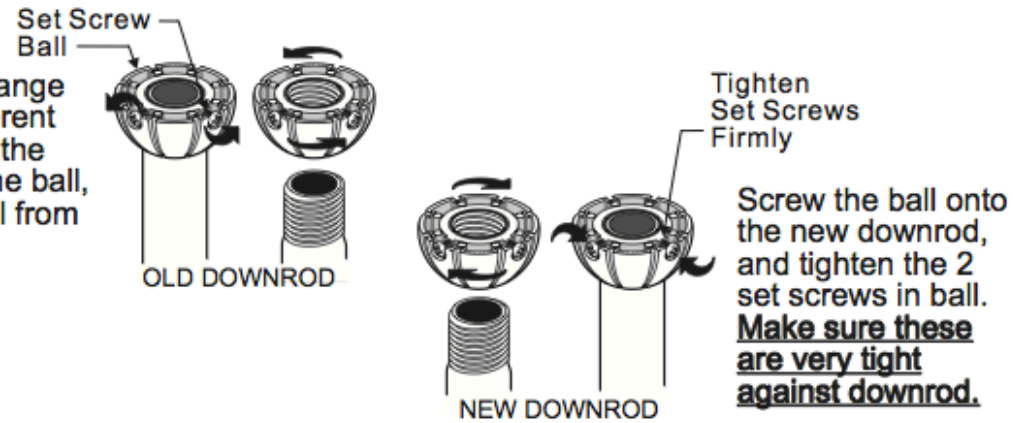
The fan must be hung with at least 7' of clearance from floor to blades.

Installation

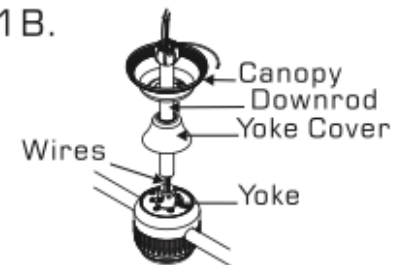
1. Yoke & Downrod Assembly

1A. IF YOU ARE CHANGING THE DOWNROD

If you need to change the ball onto different downrod, loosen the 2 set screws in the ball, then unscrew ball from the old downrod.

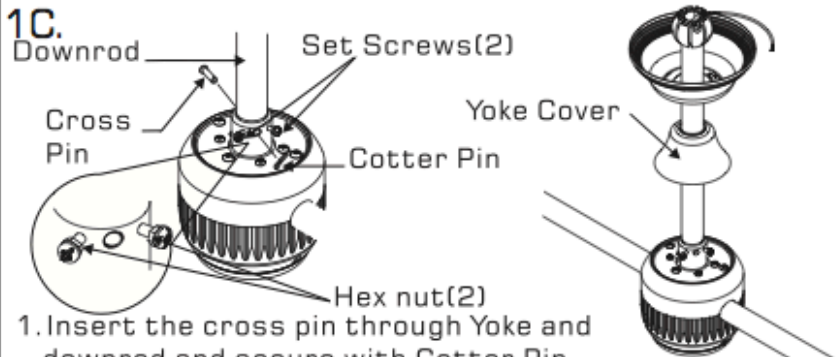


1B.



1. Insert the Yoke Cover and Canopy through downrod assembly as shown above.
2. Feed motor lead wires thru downrod assembly.
3. Insert the downrod assembly into yoke.

1C.

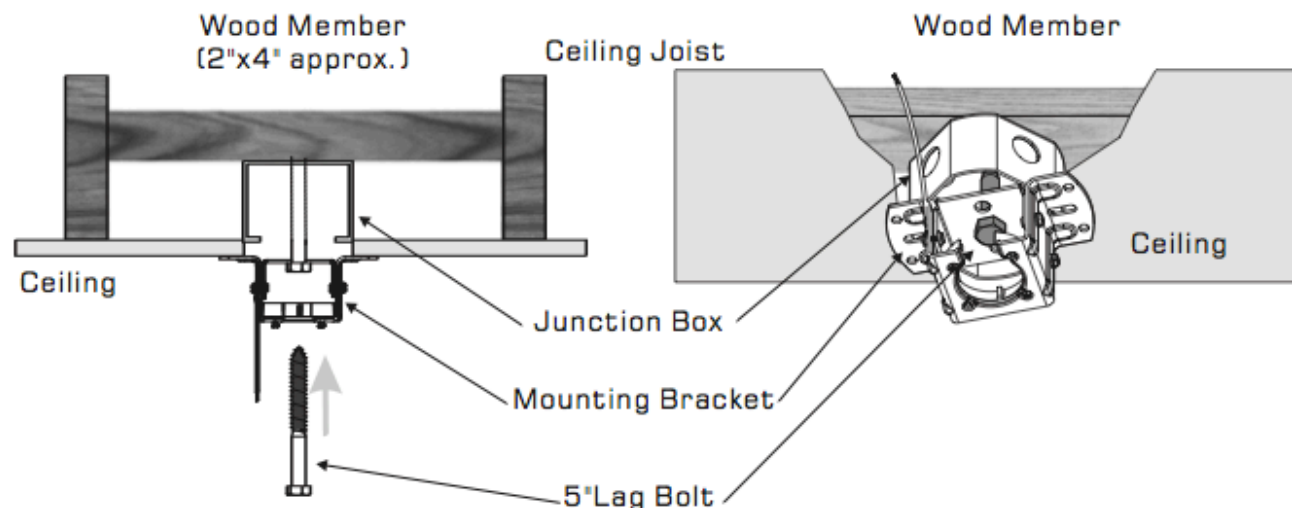


1. Insert the cross pin through Yoke and downrod and secure with Cotter Pin.
2. Tighten both set screws to further secure downrod.
3. Tighten hex nuts existing on set screws toward yoke to prevent set screws from loosening.
4. Pull down the yoke cover on top of housing.

2. Installing the Mounting Bracket

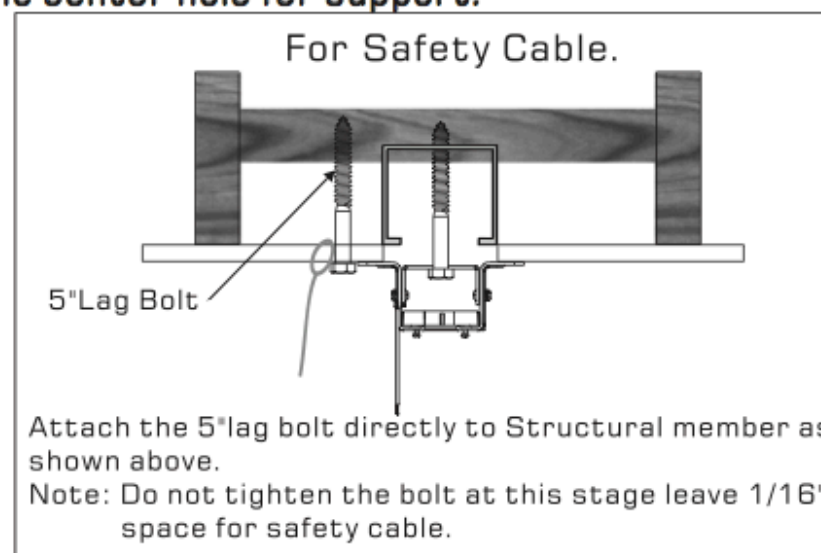
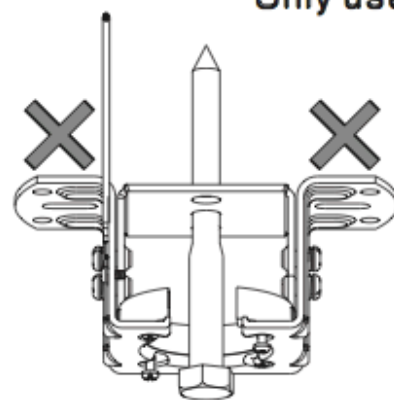
Warning: The Mounting Bracket must be securely anchored to a structural member and be acceptable of with standing a load of at least 220 lbs. Regular junction boxes are not acceptable for this fan. Refer to following instructions for support requirements.

Note: Pull all electrical supply wires out from junction box, so that electrical connections can be made later.

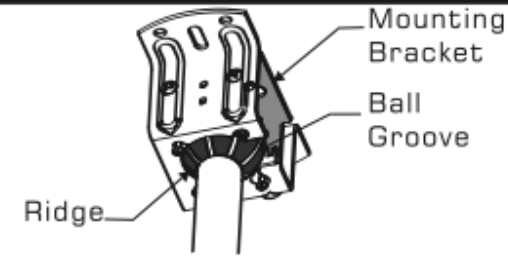


Securely attach the mounting bracket to the ceiling joist or structural member using the 5" lag bolt. The lag bolt will pass through the outlet box and into the supporting member. You will first drill a 1/4" pilot hole into the supporting member to prevent splitting or cracking.

Warning: Do not attach the mounting bracket to junction box. Only mount directly to structure. Do not attach mounting bracket through slots or holes in side flanges. Only use the center hole for support.



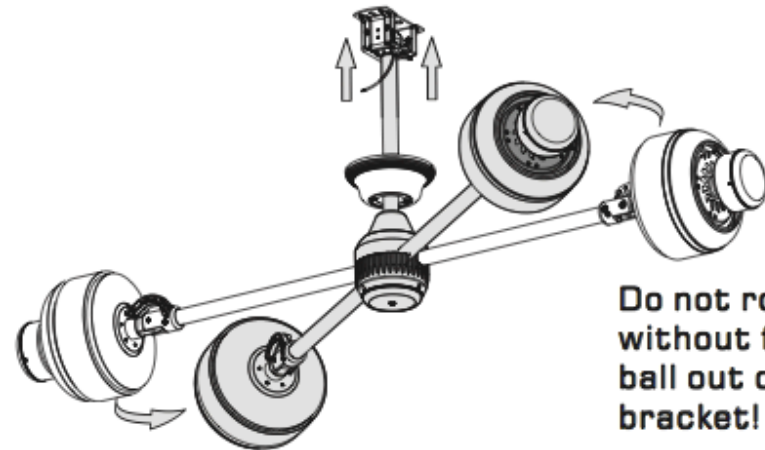
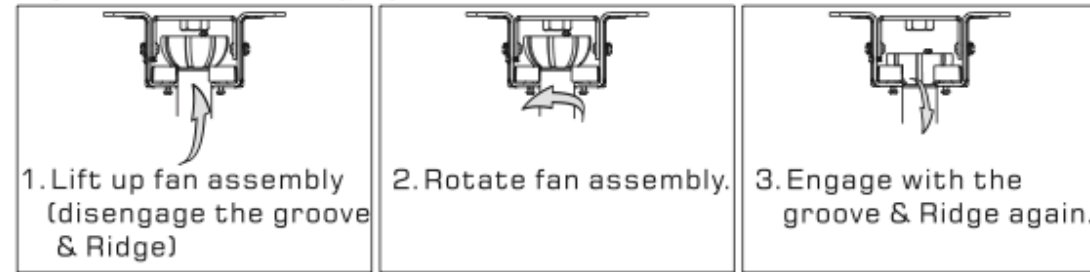
3. Hanging the Fan



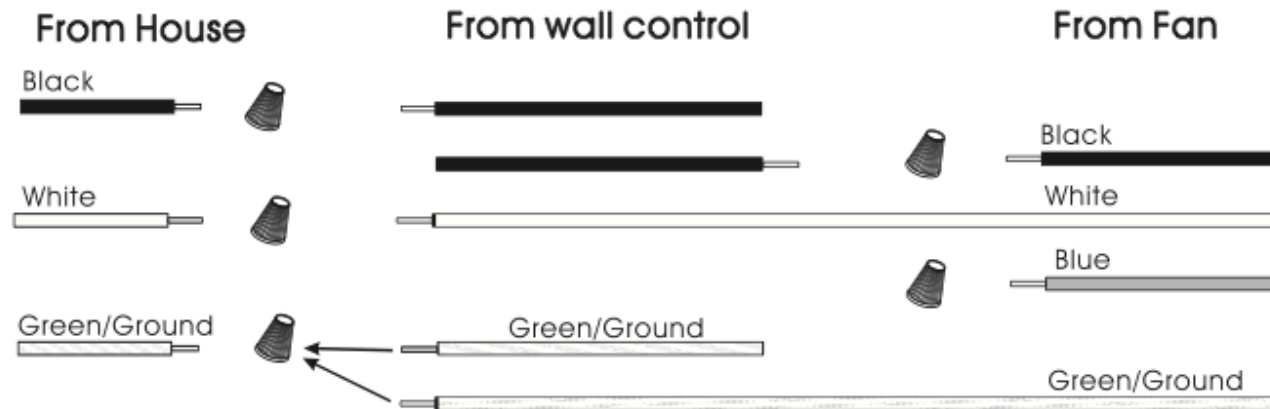
Carefully lift fan assembly onto mounting bracket. Rotate fan so that the groove on the ball engages the ridge in the mounting bracket.

4. Rotate the Fan to Proper Direction

Motor may not be hung at favorable direction at this stage, follow the 3 steps shown below for proper direction.

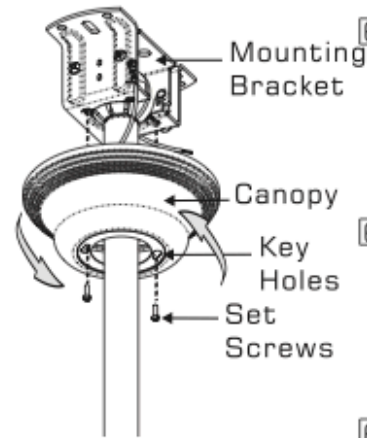
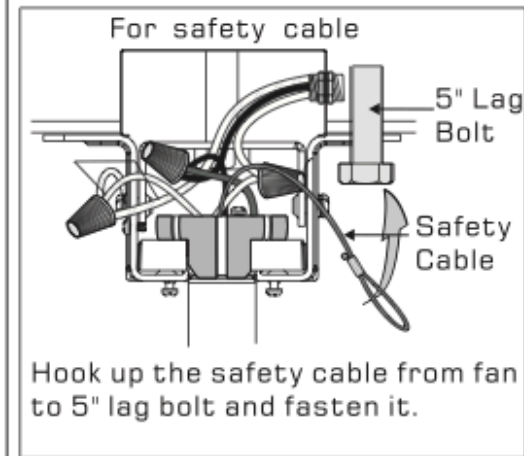


5. Make Wire Connection



Make sure that all exposed wires are secured inside wire nuts. Gently push wires into Mounting bracket with wire nuts pointed upward.
Note : Wire diagram for light kit - pls refer to wire diagram enclosed in wall control box.

6. Canopy Installation



6A Push up the Canopy until the two screws on mounting bracket are engaged with Key Holes in canopy.

6B Rotate the canopy slightly until the two screw heads are in the small end of the Key Holes.

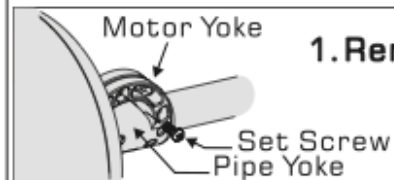
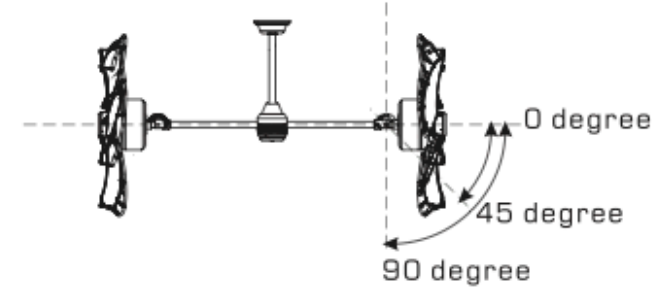
6C Tighten both screws.

7. Set up Motor Position

Both motors are designed for 3 position-0/45/90 degree adjustment. Refer to following drawings for desired motor position.

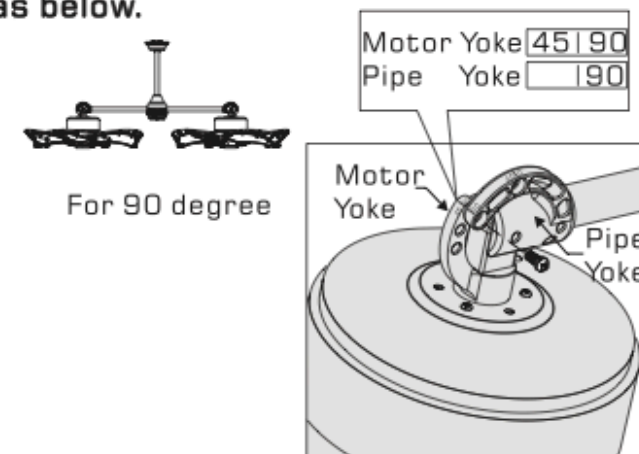
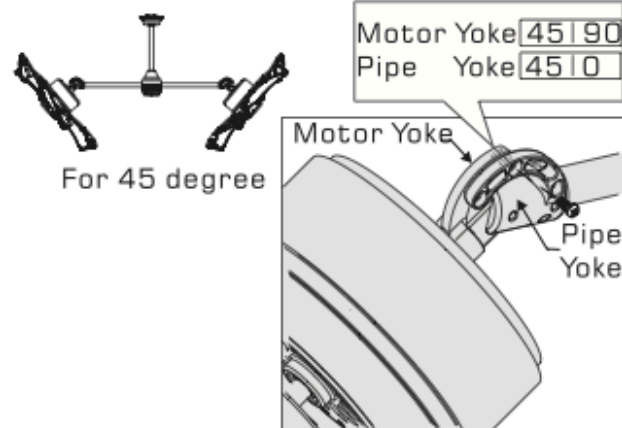
Your fan is received in 0 degree.

Note : motor position is available at 0 & 45 degree with 30" downrod for real palm blade or 45 degree with 15" downrod only.



1. Remove the set screw between yokes & adjust the motor.

2. Line up the angle labels as below.



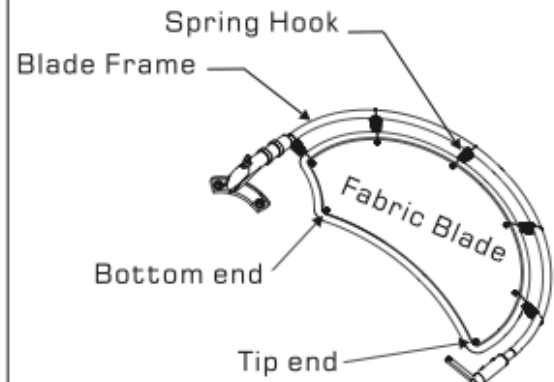
3. Insert the set screw removed from step 1 and tighten it.

4. Note : Real Palm blades are available under 15" downrod and motor position at 45 degree only, or 30" downrod (sell separately) at 0 & 45 degree only.

8. Blade Installation-For Fabric Blades

- Notes:** 1. 2 sets /10pcs of blade frames & hardware bag are packed in separate box.
2. 2 sets /10pcs of Fabric blades are packed in other separate box.

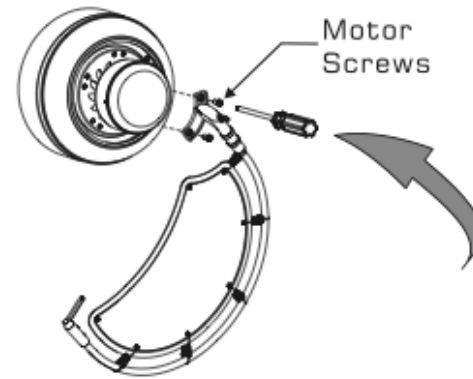
1. Attach fabric blade onto Blade frames
Attach the 5 Spring hooks from blade frame to 5 relative eyelets on Fabric blade.



Note: Leave tip and Bottom ends "open" for future hook up.

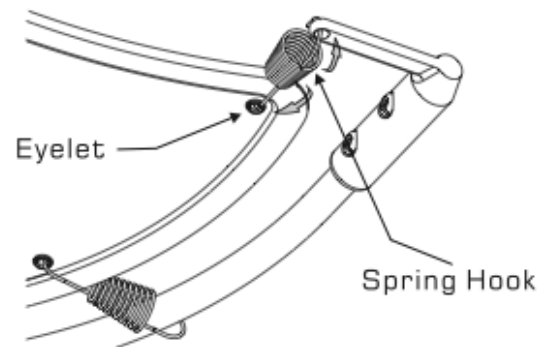
2. Attach blade assembly to motor

Secure Blade assembly to the motor with motor screws provided from hardware bag.



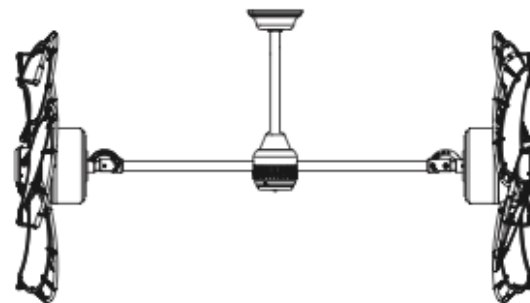
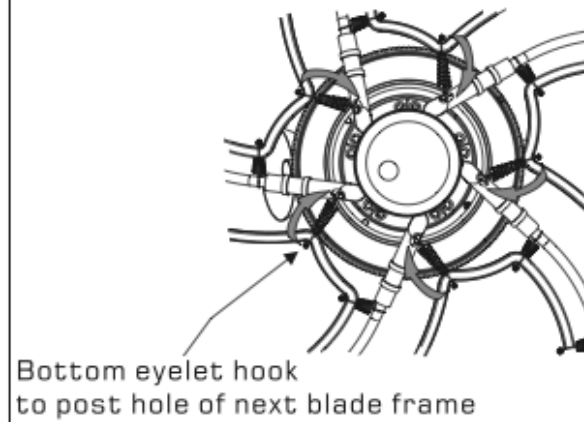
3. Hook up the tip end

Connect Hole from tip end of blade frame to tip end eyelet of fabric by spring hook provided from hardware bag.



4. Hook up the bottom end

Connect bottom eyelet of fabric to the post HOLE of next blade frame by spring hook provided from hardware bag.



9. Blade Installation - For Small Plastic or Wood Blades

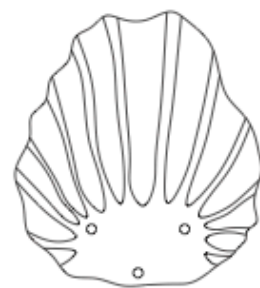
Notes:

1. 2 sets /10pcs of blade arms are packed inside the motor box.
2. 2 sets /10pcs of wooden blades and blade screws are packed in separate box.
3. 2 sets /10pcs of Plastic blades and blade screws are packed in separate box.

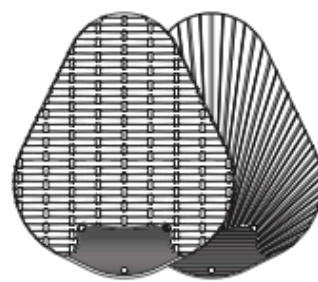
Plastic blades are reversible for rattan & wicker (dual sides).
Make sure all blades are assembled in the same style.



Blade Arm

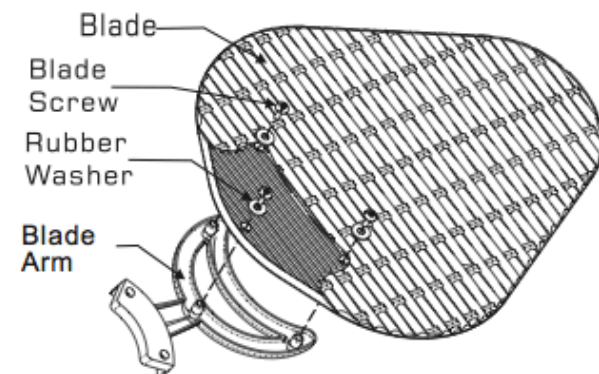


35" Wooden blade



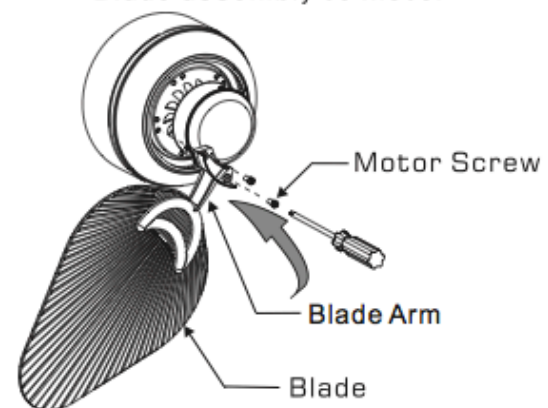
35" plastic dual blades

9A. Attach blade to blade arms with blade screws & rubber washes provided from hardware bag.



9B. Attach blade assembly to motor by motor screws provided from hardware bag.

Blade assembly to motor



10. Blade Installation - For Large Wood or Plastic Blades

Notes:

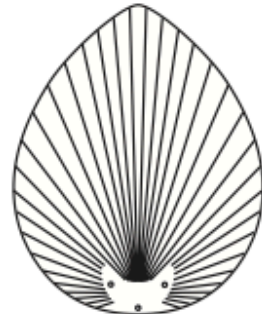
1. 2 sets/10pcs of half-moon blade arms are packed in the motor box but only 8 are used.
2. 2 sets/8pcs of half-moon backplates & blade screws are packed in the motor box.
3. 2 sets/8pcs of plastic Bombay blades are packed in two separate boxes.
4. 2 sets/8pcs of wood Large Oval blades are packed in two separate boxes.
5. 2 sets/8pcs of wood Arbor blades & blade screws are packed in a separate box.
For these thicker blades use the blade screws in that package.



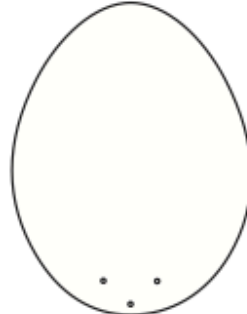
Blade Arm



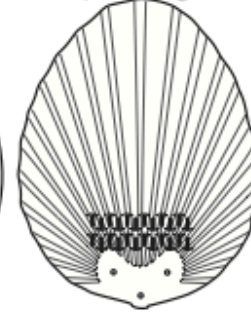
Backplate



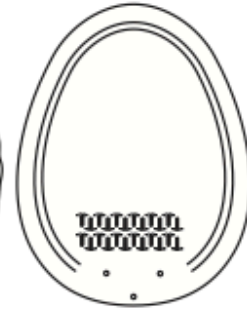
50" Bombay
Blades



50" Large
Oval Blades

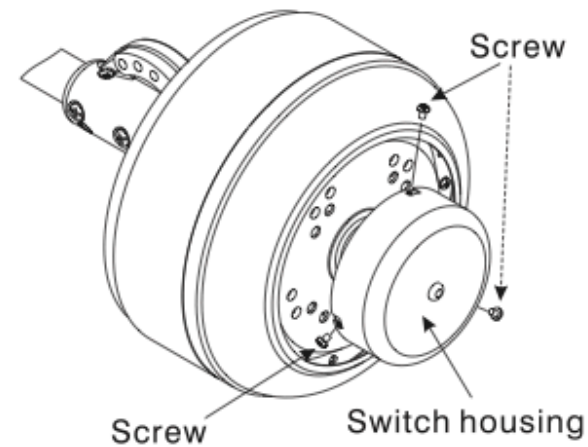


900 Arbor
50" Arbor Blades & Screws

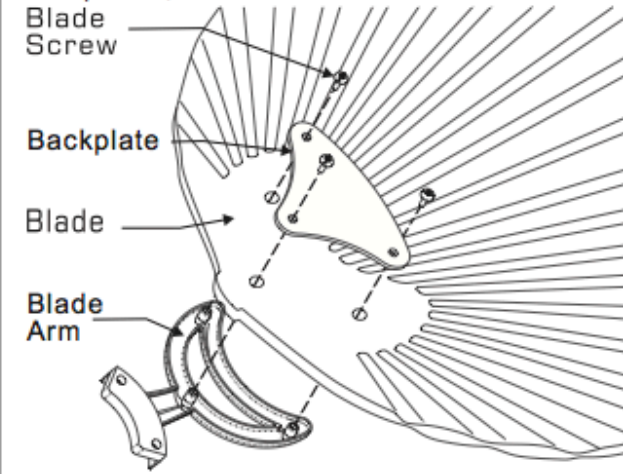


950 Arbor
Blades & Screws

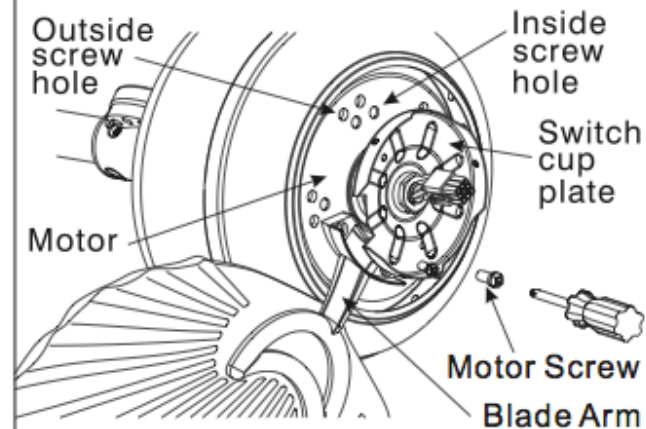
10A. Remove switch housing by 3 screws, then un-plug the connector.



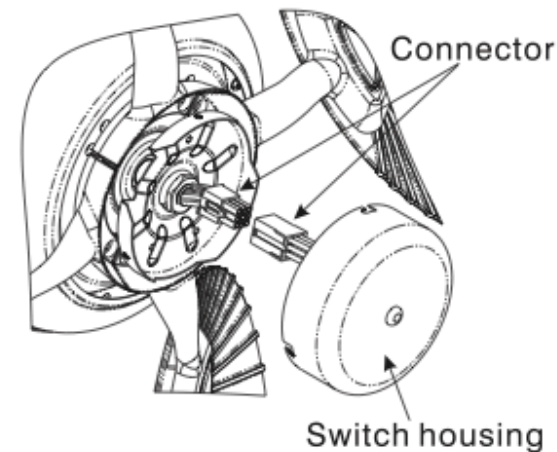
10B. Attach blade between blade arm and backplate using blade screws provided with backplates, or with the Arbor blades.



10C. Line up blade arm with inside screw hole on motor at slot in switch cup plate, then fasten blade arm firmly.



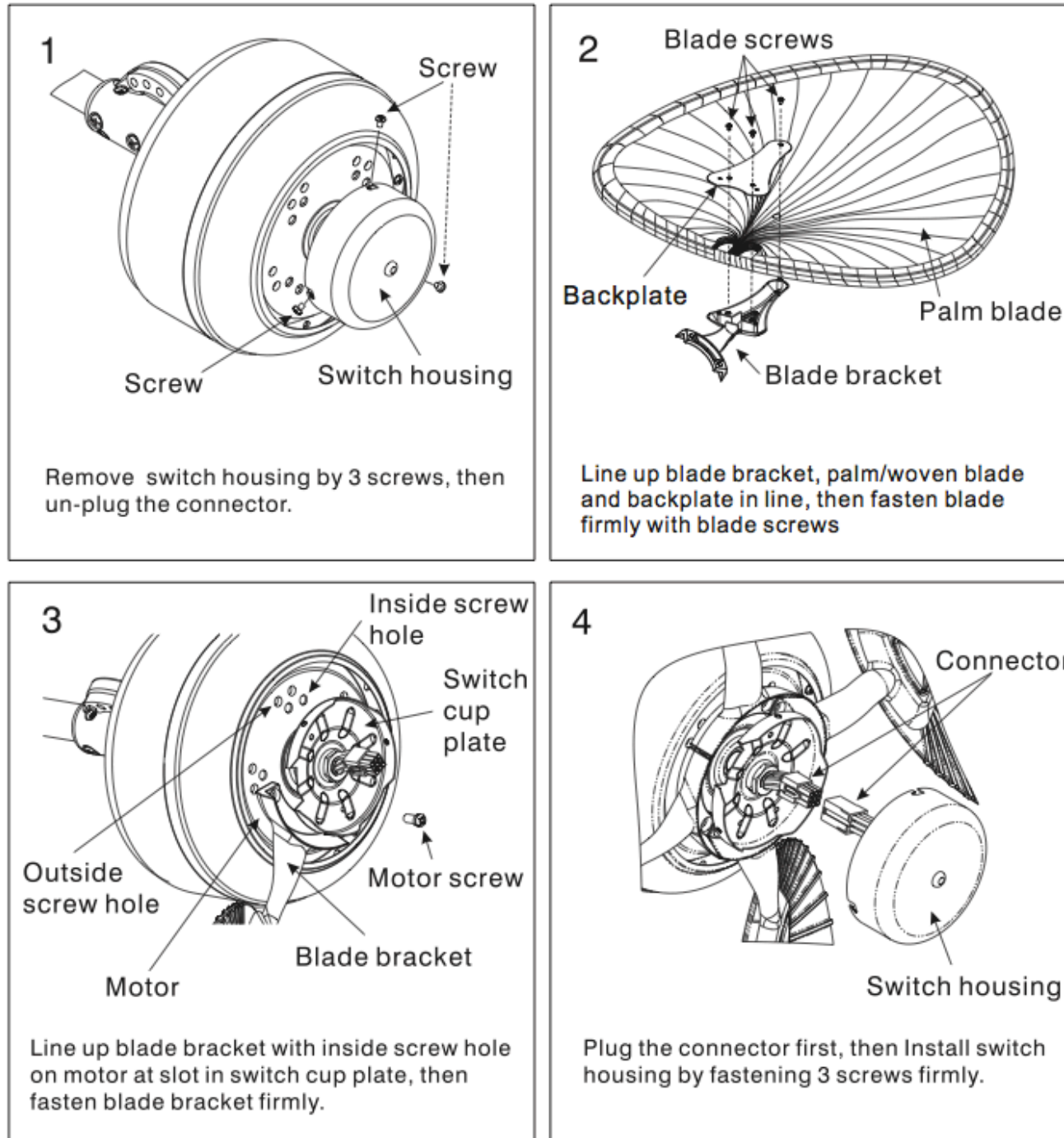
10D. Plug the connector first, then install switch housing by fastening 3 screws firmly.



11. Blade Installation - For Palm/Woven Blades

Note : 2 sets /8pcs of blade brackets are packed inside the motor box.
2 sets /8pcs of real palm blades and blade screws are packed in separate box.

Need to have 30" downrod with motor position in 0 & 45 degree or 15" downrod with motor position in 45 degree only.



Installation of wall control - pls refer to installation sheet in box.

Turn the power back on-your fan is ready for operation.